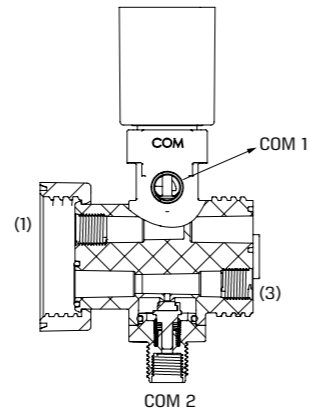


SOLENOID MANIFOLDS

G75-VM | Modular Manifold



Technical Data

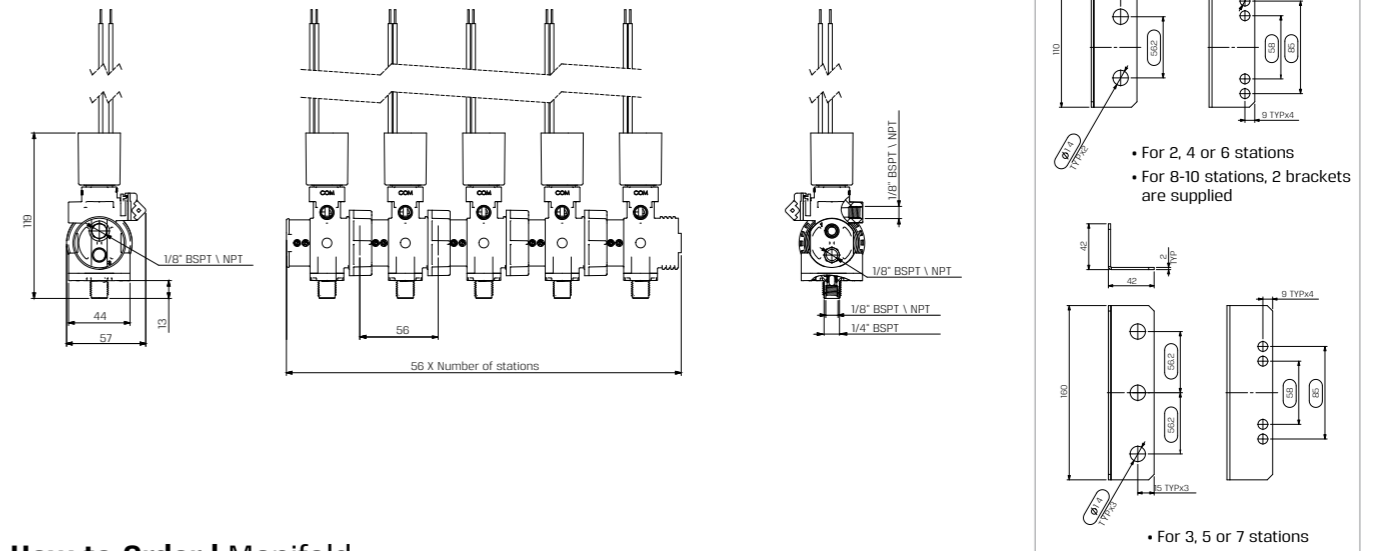
Function	3 Way NC, NO
Orifice size	1.8 mm
Pressure range	0 to 8 bar
Temperature range	Fluid : 0°C to 50°C (no freezing) Ambient : -10°C to 50°C
Materials in contact with media	Manual override: Plastic (Reinforced Nylon) Main Valve: Plastic (Reinforced Nylon & POM) Solenoid Operator: Stainless Steel AISI 300 & 400 series Seals: EPDM
Mounting	With bracket
Modular connection type	Thread type connection
Modular connection assembly recommendation	<ul style="list-style-type: none"> Manually tighten one station to another Using tools and/or excessive torques may lead to irreversible damage
Manual override	3 positions latch : Auto, Close, Open
Media	Air, water
Coil voltage	Latch
Standard protection class	IP66

* Can **only** be operated with supplied coil

PORT	NO	NC
1	Exhaust	Pressure
3	Pressure	Exhaust
COM	Out	Out

G75-VM | Modular Manifold

Dimensions



How to Order | Manifold

G75-VM	No. OF STATIONS (1)	BODY	PORT	FUNCTION	MANUAL OVERRIDE	ORIFICE	SEALS	LATCH TYPE (2)	MOUNTING BRACKET	OUTLET (3)	WIRES
	Specify quantity: 2 - 10	Plastic 4	1/8" BSPT 10 1/8" NPT 11	3W NC 3 3W NO 4	Plastic 1	1.8 3a	EPDM E	4Ω SB 9Ω SC 12Ω SD 23Ω S6	with 1	COM 1 1 COM 2 2	two Null three a

Example : G75-VM-3410313aE-SB11

G75-VM manifold, 3 stations, plastic, 1/8" BSPT, 3W NC, plastic manual override, 1.8 orifice, EPDM seals, 4Ω latch, with mounting bracket, COM 1 outlet, two wires

G75-VM	-	3	4	10	3	1	3a	E	-	SB	1	1
--------	---	---	---	----	---	---	----	---	---	----	---	---

(1) Manifold designed for a maximum of 10 stations, the use of more will reduce the outlet flow rate to all

(2) Refer to coil resistance vs input voltage table

(3) A plug will be fitted on the other outlet port

How to Order | Manifold Components

G75-VM	-	TYPE	BODY	PORT	FUNCTION	MANUAL OVERRIDE	ORIFICE	SEALS	LATCH TYPE (1)	OUTLET (2)	WIRES
		Left L	Plastic 4	1/8" BSPT 10 1/8" NPT 11	3W NC 3 3W NO 4	Plastic 1	1.8 3a	EPDM E	4Ω SB 9Ω SC 12Ω SD 23Ω S6	COM 1 1 COM 2 2	two Null three a
		Right R									
		Middle M									

Example : G75-VM-L410313aE-SB1

G75-VM Left component, plastic, 1/8" BSPT, 3W NC, plastic manual override, 1.8 orifice, EPDM seals, 4Ω latch, COM 1 outlet, two wires

G75-VM	-	L	4	10	3	1	3a	E	-	SB	1
--------	---	---	---	----	---	---	----	---	---	----	---

(1) Refer to coil resistance vs input voltage table

(2) A plug will be fitted on the other outlet port

Coil resistance vs input voltage range

Resistance [Ω]	Suitable input voltage range [V]
4	6 - 9
9	12 - 14
12	14 - 16
23	18 - 21

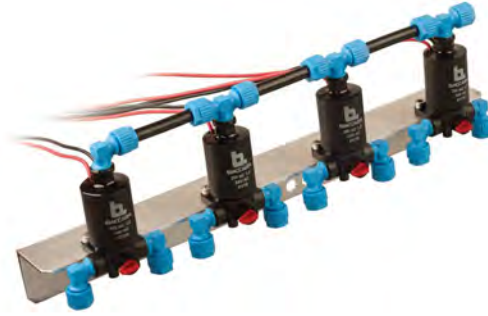
* To order manifolds manufactured according to your specific requirements, please contact our technical sales department

SOLENOID MANIFOLDS

G75-M | Manifold



GALIT



G75-A

How to Order

G75-M	-	TYPE	# STATIONS		Please refer to the "How to Order" definitions of GALIT or G75-A valve
		G75-A	1	2	
		GALIT	3	3	3
				4	4
				5	5
				6	6
				7	7
				8	8
				9	9
				10	10

Example : G75-M-15-G75-A-110320-1

G75 manifold installation, G75-A type, 5 stations, with G75 solenoid valves with flange, 1/8"BSP, 3W NC 1/2" orifice, no manual override, 24V AC coil

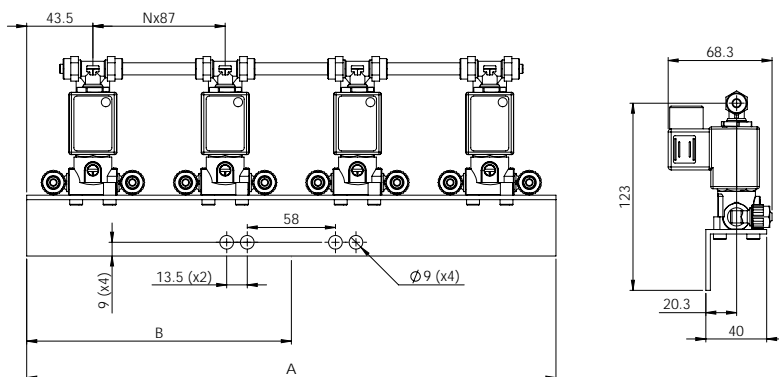
G75-M - 1 5 G75-A - 1 10 3 2 0 - 1

SOLENOID MANIFOLDS

GEM-M | Manifold



Dimensions



#Stations	3	4	5	6	7	8	9	10	11	12
A	261	348	435	522	609	696	783	870	957	1044
B	130.5	174	217.7	261	304.5	348	391.5	435	478.5	522

How to Order

GEM-M	-	TYPE	# STATIONS	Please refer to the "How to Order" definitions of GEM-A valve
		GEM-SOL	2	
			2	2
			3	3
			4	4
			5	5
			6	6
			7	7
			8	8
			9	9
			10	10

Example : GEM-M-25-GEM-A-21035N0

GEM-SOL manifold installation, 5 stations with GEM-A direct operated, brass 1/8"BSP, 3W NC, 2.4 orifice, NBR, no manual override

GEM-M - 2 - 5 - GEM-A - 2 - 10 - 3 - 5 - N - 0

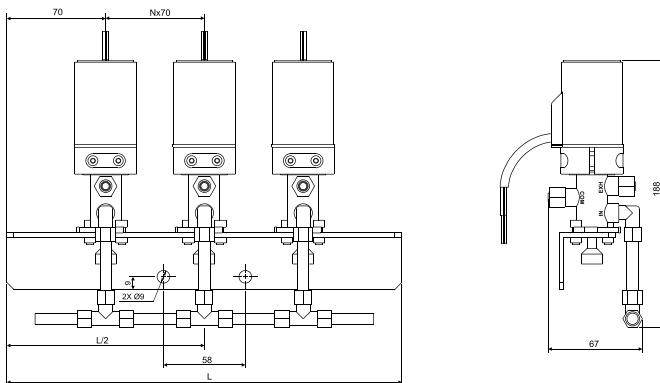
* To order manifolds manufactured according to your specific requirements, please contact our technical sales department

SOLENOID MANIFOLDS

G60-M | Manifold



Dimensions



#stations	L
2	210
3	280
4	350
5	420
6	490
7	560
8	630
9	700
10	770
11	840
12	910

How to Order

G60-M	-	#STATIONS	Please refer to the "How to Order" definitions of G60 1/8" Latch valve
		2	2
		3	3
		4	4
		5	5
		6	6
		7	7
		8	8
		9	9
		10	10

Example : G60-M-5-G60-21031

G60 manifold, 5 stations, with G60 latch solenoid valve, brass, 1/8"BSP, 24V DC with 2 wires



* To order manifolds manufactured according to your specific requirements, please contact our technical sales department