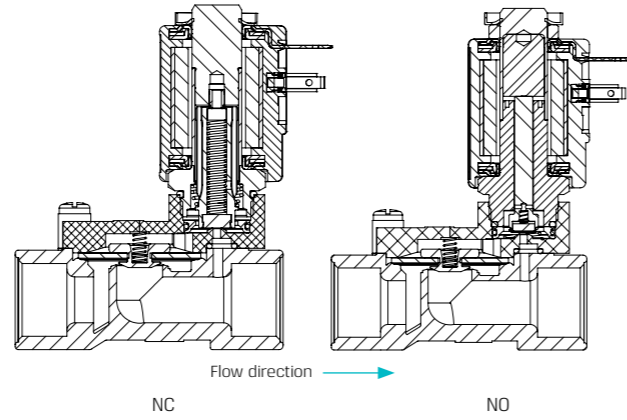


# ELECTRIC/HYDRAULIC VALVES | GEM & G75

GEM-S | Pilot operated 3/8", 1/2" 2 Way NC, NO



## Technical Data

Function	2 Way NC, NO
Ports size	3/8", 1/2" BSP & NPT
Orifice size	12mm
Pressure range	0.5 to 12 bar
Kv (l/min)	35 l/min
Temperature range	<b>Fluid :</b> 5°C to 50°C (no freezing) <b>Ambient :</b> -10°C to 50°C
Materials in contact with media	<b>Main Valve:</b> Reinforced Nylon <b>Solenoid Operator:</b> Stainless Steel AISI 300 & 400 series <b>Seals:</b> NBR, FPM (Viton®), EPDM
Solenoid	GEM-SOL 2W NC solenoids, all voltages.
Coil voltage	• Voltage and power consumption - see table • All Baccara coil voltages are ± 10% of nominal
Standard protection class	IP65 with connector * Option : IP68 (please refer to GEM-BP Coil)

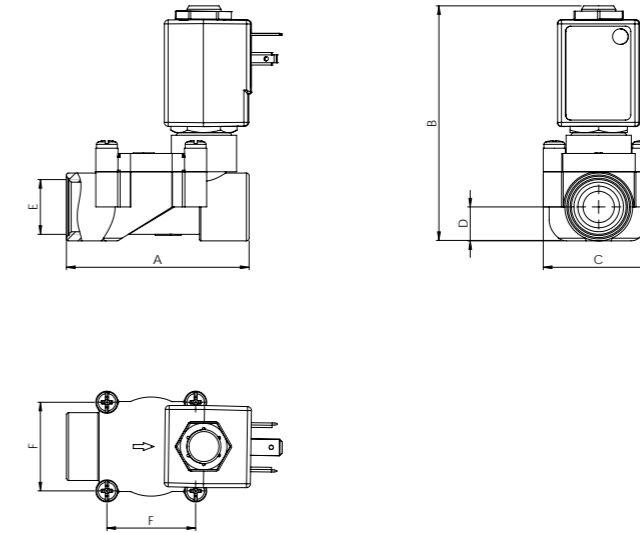
## Voltage & Power Consumption

V	AC (W)						DC (W)		
	50 Hz			60 Hz			10	5.5	3.5
6							•		
12	•			•			•		
24	•			•			•		
48	•			•			•		
110	•			•			•		
120	•			•					
220	•			•			•		
230	•								
240	•			•			•		

• Available options

GEM-S | Pilot operated 3/8", 1/2" 2 Way NC, NO

## Dimensions



Function	A	B	C	D	E	F
NC	70	90	42.5	13	3/8" & 1/2"	34
NO	70	93.4	42.5	13	3/8" & 1/2"	34

## How to Order

GEM-S	BODY	PORT	FUNCTION	SEALS	MANUAL OVERRIDE	* When ordering without coil, please define what current and pressure rating is needed (DC, AC)							
						VOLTAGE	POWER	CONNECTOR					
	Plastic	4	3/8" BSP 30	2W NC 1	NBR N	None	0	W/out coil	0	No coil	0	without	0
			3/8" NPT 31	2WNO 2a	FPM (Viton®) V			6	1	AC8W 50Hz	1	with	1
			1/2" BSP 40		EPDM E			12	2	AC8W 60Hz	2	with LED	2
			1/2" NPT 41					24	3	DC10W	3	with bi-color LED	3
								48	4			flying leads coil	4
								110	5			with 1/2" Hub	5
								120	6			surge protection with LED	6
								220	7A			connector with moulded cable	7
								230	7			other	9
								240	8				
								Latch/other <sup>(1)</sup>	9				

Example : GEM-S-4401N0-321  
GEM-SOL pilot operated, 1/2" BSP, 2W NC, NBR, no manual override, 24V AC 8W 60Hz with connector

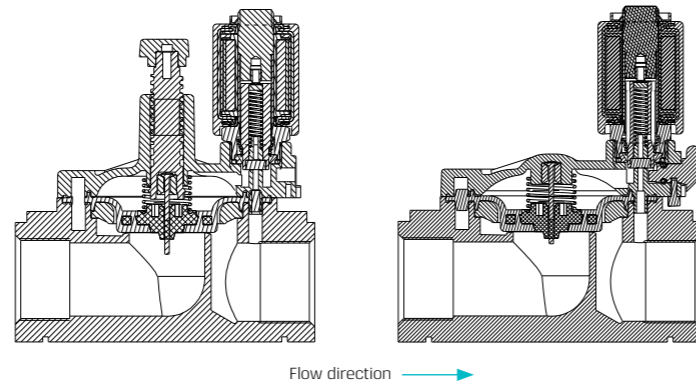
GEM-S - 4 40 1 N 0 - 3 2 1

(1) For specifying Latch type coil, please refer to GEM-A3P valve - How to Order table

\* To order valves manufactured according to your specific requirements, please contact our technical sales department

# ELECTRIC/HYDRAULIC VALVES | GEM & G75

## GEM-S | Pilot operated 3/4" - 2" 2 Way NC, NO



### Technical Data

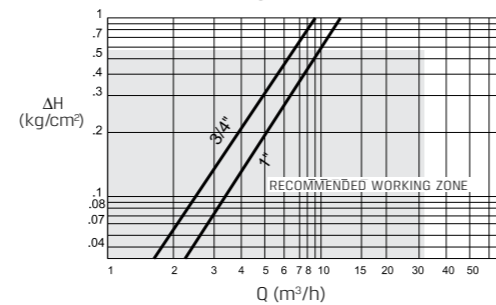
Function	2 Way NC, NO
Ports size	3/4", 1", 1-1/2", 2" BSPT & NPT
Connection	Female BSPT or NPT thread
Pressure range	0.3 to 10 bar
Temperature range	<b>Fluid</b> : 5°C to 50°C (no freezing) <b>Ambient</b> : -10°C to 50°C
Solenoid	GEM-SOL 3/4" UNEF, 2 Way NC or NO solenoids. All voltages
Materials in contact with media	<b>Manual override:</b> Reinforced Nylon <b>Body &amp; cover:</b> Reinforced Nylon <b>Spring:</b> Stainless Steel AISI 302 <b>Diaphragm:</b> 3/4" - 1" : EPDM   1-1/2" - 2" : NR <b>Seals:</b> NBR, EPDM <b>Screws:</b> Stainless Steel AISI 304 <b>Solenoid:</b> Stainless Steel AISI 300 & 400 series
Coil voltage	• Voltage and power consumption - see table • All Baccara coil voltages are ± 10% of nominal
Standard protection class	IP65 with connector * Option : IP68 (please refer to GEM-BP Coil)

- Progressive opening and shut off that prevents water hammer

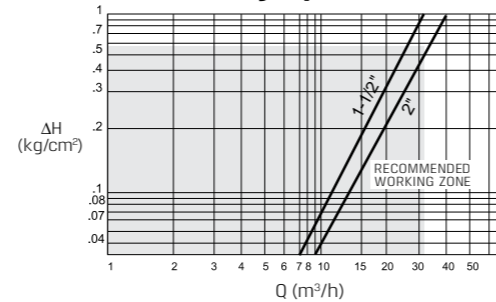
### Flow & Orifice table

Size	Orifice (mm)	Kv (l/min)
3/4"	27	140
1"	27	200
1-1/2"	55	520
2"	55	600

### Head loss for fully open valve



### Head loss for fully open valve



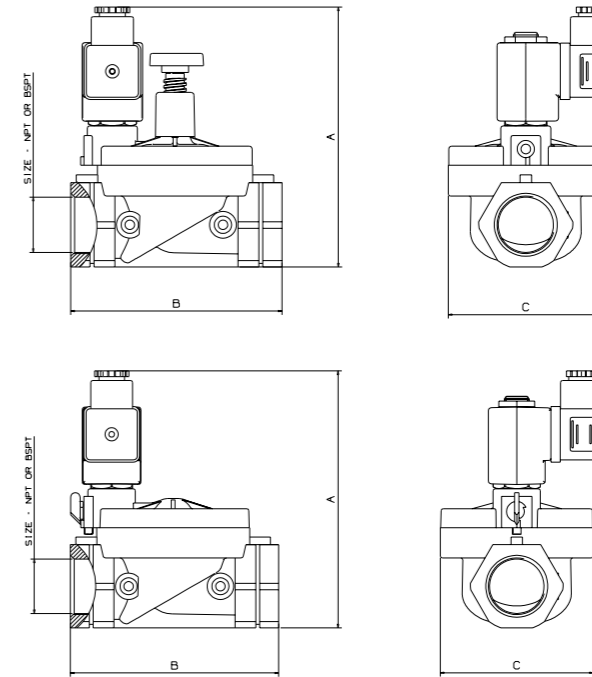
### Voltage & Power Consumption

V	AC (W)						DC (W)		
	50 Hz			60 Hz			10	5.5	3.5
6							•		
12	•			•			•		
24	•	•		•	•		•		
48	•			•			•		
110	•			•	•		•		
120	•			•			•		
220	•	•		•			•		
230	•	•		•			•		
240	•			•			•		

• Available options

## GEM-S | Pilot operated 3/4" - 2" 2 Way NC, NO

### Dimensions



with flow control

Size	A	B	C
3/4"	108	110	81
1"	135.5	110	81
1-1/2"	180	160	126
2"	190	170	126

without flow control

Size	A	B	C
3/4"	128.5	110	81
1"	135.5	110	81
1-1/2"	168	160	126
2"	179.5	170	126

### How to Order

GEM-S	BODY	PORT	FUNCTION	SEALS	MANUAL OVERRIDE	FLOW CONTROL	* When ordering without coil, please define what current and pressure rating is needed (DC, AC)										
							VOLTAGE	POWER	CONNECTOR								
Plastic	4	3/4" BSPT	50	2W NC	1	NBR <sup>(1)</sup>	N	None	0	with	1	W/out coil	0	No coil	0	without	0
			51	2WNO	2a	EPDM <sup>(2)</sup>	E	Plastic	1	without <sup>(2)</sup>	2	6	1	ACBW 50Hz	1	with	1
		1" BSPT	60									12	2	ACBW 60Hz	2	with LED	2
			61									24	3	DC10W	3	with bi-color LED	3
		1-1/2" BSPT	70									48	4	AC5.5W 50Hz	4	flying leads coil	4
			71									110	5	AC5.5W 60Hz	5	with 1/2" Hub	5
		2" BSPT	80									120	6			surge protection with LED connector with moulded cable	6
			81									220	7A			connector with moulded cable	7
		2" NPT	81									230	7			other	9
												240	8				
										Latch/other <sup>(3)</sup>	9						

Example : GEM-S-4501E11-331  
GEM-SOL pilot operated, nylon body, 3/4" BSPT, 2W NC, EPDM, plastic manual override, with flow control, 24V DC 10W with connector

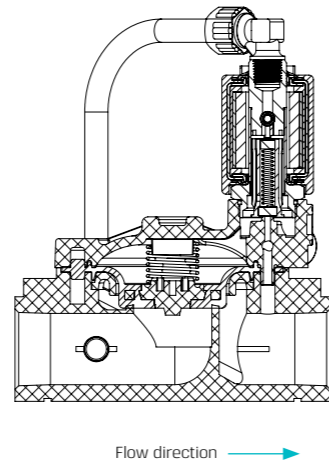
GEM-S - 4 50 1 E 1 1 - 3 3 1

- (1) 1-1/2", 2" valves only
- (2) 3/4", 1" valves only
- (3) For specifying Latch type coil, please refer to GEM-A3P valve - How to Order table

\* To order valves manufactured according to your specific requirements, please contact our technical sales department

# ELECTRIC/HYDRAULIC VALVES | GEM & G75

**GEM-S-4** | Upstream pilot control integrated with Gem-Sol operator  
3/4", 1" 2 Way NC, NO



## Technical Data

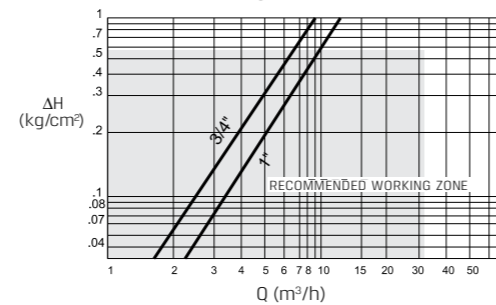
Function	2 Way NC, NO
Ports size	3/4", 1 BSPT & NPT
Connection	Female BSPT or NPT thread
Pressure range	0.3 to 10 bar
Temperature range	<b>Fluid</b> : 5°C to 50°C (no freezing) <b>Ambient</b> : -10°C to 50°C
Solenoid	GEM-SOL 3/4" UNEF, 2 Way NC or NO solenoids. All voltages
Materials in contact with media	<b>Manual override:</b> Reinforced Nylon <b>Body &amp; cover:</b> Reinforced Nylon <b>Spring:</b> Stainless Steel AISI 302 <b>Diaphragm:</b> EPDM <b>Seals:</b> EPDM <b>Screws:</b> Stainless Steel AISI 304 <b>Solenoid:</b> Stainless Steel AISI 300 & 400 series
Coil voltage	• Voltage and power consumption - see table • All Baccara coil voltages are ± 10% of nominal
Standard protection class	IP65 with connector * Option : IP68 (please refer to GEM-BP Coil)

• Progressive opening and shut off that prevents water hammer

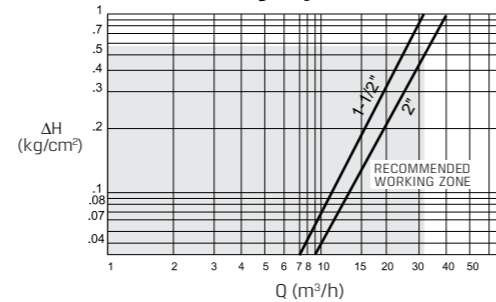
## Flow & Orifice table

Size	Orifice (mm)	Kv (l/min)
3/4"	27	140
1"	27	200

## Head loss for fully open valve



## Head loss for fully open valve



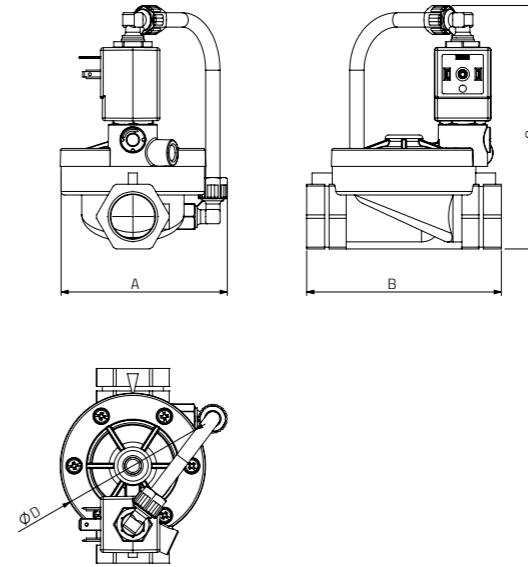
## Voltage & Power Consumption

V	AC (W)						DC (W)		
	50 Hz			60 Hz			10	5.5	3.5
6							•		
12	•			•			•		
24	•	•		•	•		•		
48	•			•			•		
110	•			•	•		•		
120	•			•			•		
220	•	•		•			•		
230	•	•		•			•		
240	•			•			•		

• Available options

**GEM-S-4** | Upstream pilot control integrated with Gem-Sol operator  
3/4", 1" 2 Way NC, NO

## Dimensions



## How to Order

GEM-S	BODY	PORT	FUNCTION	SEALS	MANUAL OVERRIDE	FLOW CONTROL	VOLTAGE	POWER	CONNECTOR
	Plastic 4	3/4" BSPT 50	2W NC 1	EPDM E	None 0	with 1	W/out coil 0	No coil 0	without 0
		3/4" NPT 51	2WNO 2a		Plastic 1	without 2	6 1	ACBW 50Hz 1	with 1
		1" BSPT 60					12 2	ACBW 60Hz 2	with LED 2
		1" NPT 61					24 3	DC10W 3	with bi-color LED 3
							48 4	AC5.5W 50Hz 4	flying leads coil 4
							110 5	AC5.5W 60Hz 5	with 1/2" Hub 5
							120 6		surge protection with LED connector with moulded cable 6
							220 7A		connector with moulded cable 7
							230 7		other 9
							240 8		
							Latch/other (1) 9		

\* When ordering without coil, please define what current and pressure rating is needed (DC, AC)

Example : GEM-S-4501E11-331

GEM-SOL pilot operated upstream, nylon body, 3/4" BSPT, 2W NC, EPDM, plastic manual override, with flow control, 24V DC 10W with connector

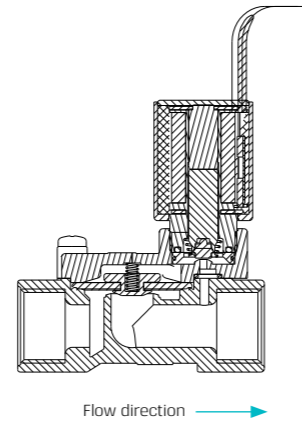
GEM-S - 4 50 1 E 1 1 - 3 3 1

(1) For specifying Latch type coil, please refer to GEM-A3P valve - How to Order table

\* To order valves manufactured according to your specific requirements, please contact our technical sales department

# ELECTRIC/HYDRAULIC VALVES | GEM & G75

G75-S | Pilot operated 3/8", 1/2" 2 Way NC



## Technical Data

Function	2 Way NC
Ports size	3/8", 1/2" BSP & NPT
Orifice size	12mm
Pressure range	0.5 to 12 bar * Minimum pressure differential of 0.5 is required
Kv (l/min)	35 l/min
Temperature range	<b>Fluid :</b> 5°C to 50°C (no freezing) <b>Ambient :</b> -10°C to 50°C
Materials in contact with media	<b>Main Valve:</b> Reinforced Nylon <b>Solenoid Operator:</b> Stainless Steel AISI 300 & 400 series <b>Seals:</b> NBR, EPDM, FPM (Viton®) <b>Spring:</b> Stainless Steel AISI 300 series
Solenoid	G75 2W NC solenoids, all voltages.
Coil voltage	• Voltage and power consumption - see table • All Baccara coil voltages are ± 10% of nominal
Standard protection class	IP65

## Voltage & Power Consumption

V	AC (W)	
	50 Hz	DC (W)
2	2	4.5
12	•	•
24	•	•
110	•	•

2W only

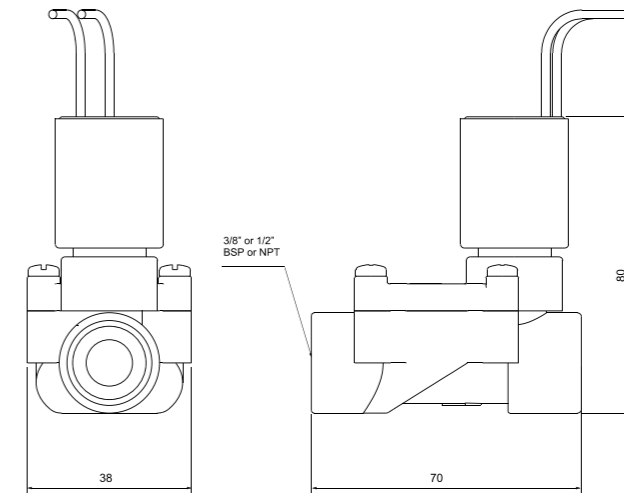
• Available options

## Voltage & Current table

Solenoid	Voltage	Inrush [A]	Holding [A]
2W 50 Hz	V +10% n-20%	0.3	0.19
2W 60 Hz		0.2	0.14
3W 50/60 Hz		0.125	0.125
DC		4.5W	

G75-S | Pilot operated 3/8", 1/2" 2 Way NC

## Dimensions



## How to Order

G75-S	BODY	PORT	FUNCTION	SEALS	MANUAL OVERRIDE	VOLTAGE <sup>(1)</sup>	WIRES
	Plastic 4	3/8" BSP 30 3/8" NPT 31 1/2" BSP 40 1/2" NPT 41	2W NC 1	NBR N FPM (Viton®) V EPDM E	None 0	24V AC 1 12V AC 3 12V DC 4 24V DC 5 23Ω 6 110V AC 7 4Ω B 9Ω C 12Ω D	two null three <sup>(2)</sup> a

## Coil resistance vs input voltage range

Resistance [Ω]	Suitable input voltage range [V]
4	6 - 9
9	12 - 14
12	14 - 16
23	18 - 21

Example : G75-S-4401N0-1

G75 pilot operated, 1/2" BSP, 2W NC, NBR, no manual override, 24V AC, two wires

G75-S - 4 - 40 - 1 - N - 0 - 1

(1) For Latch : Refer to coil resistance vs input voltage table

(2) For Latch only

\* To order valves manufactured according to your specific requirements, please contact our technical sales department

# ELECTRIC/HYDRAULIC VALVES | GEM & G75

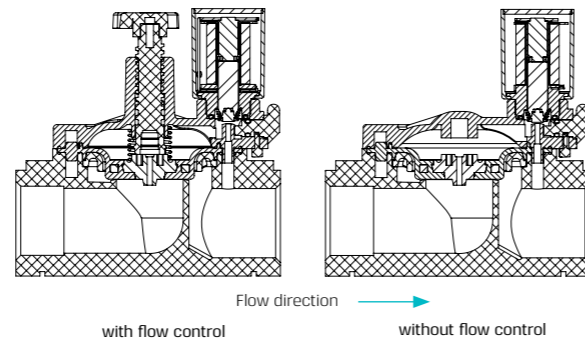
## G75-S | Electric 3/4" - 2" 2 Way NC

## G75-S | Electric 3/4" - 2" 2 Way NC



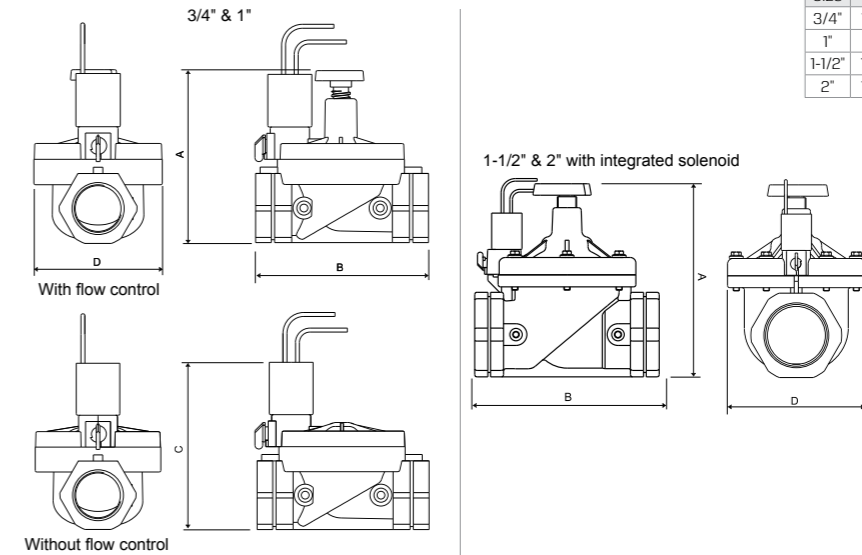
G75-S | 1" | NC with plastic manual override

G75-S | 2" | NC Latch with handle manual override



Flow direction →  
with flow control      without flow control

### Dimensions

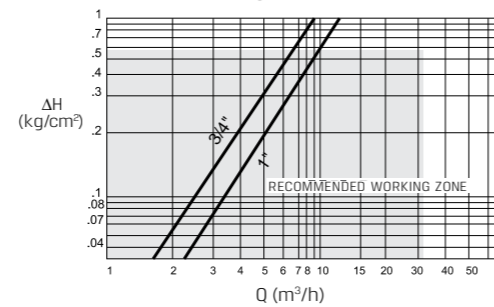


Size	A	B	C	D	Weight (gr)
3/4"	105	110	105	81	230
1"	112	110	112	81	230
1-1/2"	180	160	126	127	740
2"	190	170	126	127	790

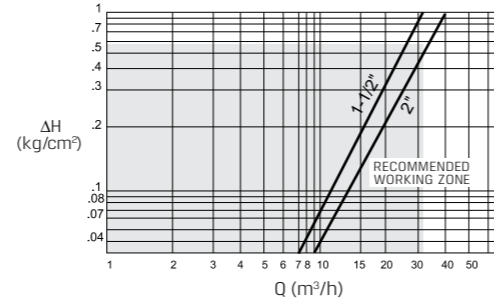
### Technical Data

Function	2 Way NC
Ports size	3/4", 1", 1-1/2", 2" BSPT & NPT
Pressure range	0.3 to 10bar
Temperature range	<b>Fluid :</b> 5°C to 50°C (no freezing) <b>Ambient :</b> -10°C to 50°C
Materials in contact with media	<b>Manual override:</b> Reinforced Nylon <b>Main Valve:</b> Reinforced Nylon <b>Solenoid Operator:</b> Stainless Steel AISI 300 & 400 series <b>Diaphragm:</b> 3/4" - 1" : EPDM   1-1/2" - 2" : NR <b>Seals:</b> Buna - N <b>Spring:</b> Stainless Steel AISI 300 series
Solenoid	• G75, 2W NC solenoids, all voltages. • AC, DC and Latch
Coil voltage	• Voltage and power consumption - see table • All Baccara coil voltages are ± 10% of nominal

### Head loss for fully open valve



### Head loss for fully open valve



### Voltage & Power Consumption

V	AC (W)	DC (W)
	50 Hz	
12	•	•
24	•	•
110	• 2W only	

• Available options

### Voltage & Current table

Solenoid	Voltage	Inrush [A]	Holding [A]
2W 50 Hz	V +10%	0.3	0.19
2W 60 Hz		0.2	0.14
3W 50/60 Hz		0.125	0.125
DC	n-20%	4.5W	

### How to Order

G75-S	PORT	FUNCTION	MANUAL OVERRIDE	FLOW CONTROL	VOLTAGE <sup>(3)</sup>	WIRES						
	3/4" BSPT	50	2W NC	1	None	0	with	5	24V AC	1	two	null
	3/4" NPT	51			Plastic	1	without <sup>(2)</sup>	6	12V AC	3	three <sup>(1)</sup>	a
	1" BSPT	60			Handle <sup>(1)</sup>	2			12V DC	4		
	1" NPT	61							24V DC	5		
	1-1/2" BSPT	70							23Ω	6		
	1-1/2" NPT	71							110V AC	7		
	2" BSPT	80							4Ω	B		
	2" NPT	81							9Ω	C		
									12Ω	D		

### Coil resistance vs input voltage range

Resistance [Ω]	Suitable input voltage range [V]
4	6 - 9
9	12 - 14
12	14 - 16
23	18 - 21

Example : G75-S-501051

G75 electric valve, 3/4" BSPT, 2W NC, no manual override, with flow control, 24V AC, two wires

G75-S - 50 1 0 5 1

(1) For Latch only

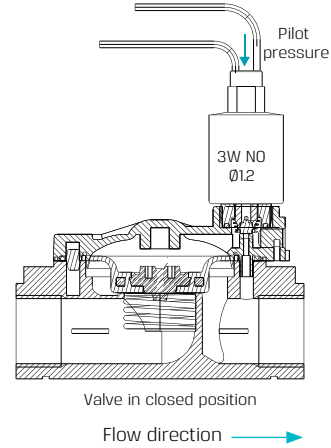
(2) 3/4", 1" valves only

(3) For Latch : Refer to coil resistance vs input voltage table

\* To order valves manufactured according to your specific requirements, please contact our technical sales department

# ELECTRIC/HYDRAULIC VALVES | GEM & G75

## G75-Z | Electric zero differential pressure 3/4" - 2" 2 Way NC



### Technical Data

Function	2 Way NC
Ports size	3/4", 1", 1-1/2", 2" BSPT & NPT
Pressure range	Line: 0-6 bar   Pilot: 1.5 bar above line pressure
Temperature range	<b>Fluid</b> : 5°C to 50°C (no freezing)
Materials in contact with media	<b>Manual override:</b> Reinforced Nylon
	<b>Main Valve:</b> Reinforced Nylon
	<b>Solenoid Operator:</b> Stainless Steel AISI 300 & 400 series
	<b>Diaphragm:</b> NR
	<b>Seals:</b> Buna-N
	<b>Spring:</b> Stainless Steel AISI 300 series
Solenoid	Supplied with G75 1.2mm 3 Way NO solenoid

• For overall dimensions, refer to G75-S | Electric 3/4" - 2" 2 Way NC

### Voltage & Power Consumption

V	AC (W)	DC(W)
	50 Hz	
12	•	•
24	•	•

• Available options

### Voltage & Current table

Solenoid	Voltage	Inrush [A]	Holding [A]
2W 50 Hz	V +10% n-20%	0.3	0.19
2W 60 Hz		0.2	0.14
3W 50/60 Hz *		0.125	0.125
DC		4.5W	

\* Except 24V AC without Diode

### Coil resistance vs input voltage range

Resistance [Ω]	Suitable input voltage range [V]
4	6 - 9
9	12 - 14
12	14 - 16
23	18 - 21

### How to Order

G75-Z	PORT	FUNCTION	MANUAL OVERRIDE	FLOW CONTROL	VOLTAGE <sup>(3)</sup>	WIRES
	3/4" BSPT 50	2W NC 1	None 0	with 5	without 0	two null
	3/4" NPT 51		Plastic 1	without <sup>(1)</sup> 6	24V AC 1	three <sup>(2)</sup> a
	1" BSPT 60		Handle <sup>(2)</sup> 2		24V AC w/out Diode 1R	
	1" NPT 61				12V AC 3	
	1-1/2" BSPT 70				12V DC 4	
	1-1/2" NPT 71				24V DC 5	
	2" BSPT 80				23Ω 6	
	2" NPT 81				110V AC 7	
					4Ω B	
					9Ω C	
					12Ω D	

Example : G75-Z-601151

G75 electric valve, 1" BSPT, 2WNC, plastic manual override with flow control, 24V AC, two wires

G75-Z - 60 1 1 5 1

(1) 3/4", 1" valves only

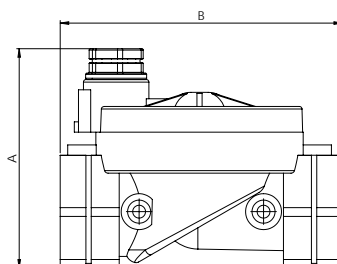
(2) For latch only

(3) For Latch : Refer to coil resistance vs input voltage table

\* To order valves manufactured according to your specific requirements, please contact our technical sales department

# ELECTRIC/HYDRAULIC VALVES

## G75-Z | Hydraulic zero differential pressure 3/4" - 2" 2 Way NO



Size	A	B	C
3/4"	77	110	81
1"	84	110	81
1-1/2"	98	160	127
2"	98	170	127

### Technical Data

Function	2 Way NO
Ports size	3/4", 1", 1-1/2", 2" BSPT & NPT
Pressure range	Line: 0-6 bar   Pilot: 1.5 bar above line pressure
Temperature range	<b>Fluid :</b> 5°C to 50°C (no freezing)
Materials in contact with media	<b>Main Valve:</b> Reinforced Nylon <b>Diaphragm:</b> NR <b>Seals:</b> Buna-N <b>Spring:</b> Stainless Steel AISI 300 series

• For overall dimensions, refer to G75-S | Hydraulic 3/4"- 2" 2 Way

### How to Order

G75-Z	-	PORT	FUNCTION	FLOW CONTROL		
		3/4" BSPT	50	2W NO 2	with	5
		3/4" NPT	51		without <sup>(1)</sup>	6
		1" BSPT	60			
		1" NPT	61			
		1-1/2" BSPT	70			
		1-1/2" NPT	71			
		2" BSPT	80			
		2" NPT	81			

Example : G75-Z-6025

G75 inline hydraulic valve, 1" BSPT, 2W NO with flow control

G75-Z - 60 2 5

(1) 3/4", 1" valves only

\* To order valves manufactured according to your specific requirements, please contact our technical sales department

# ELECTRIC/HYDRAULIC VALVES | GEM & G75

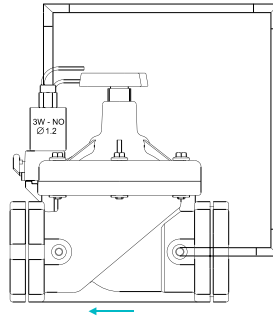
## G75-S | 3 Way Integral solenoid pilot control 3/4" - 2" NC



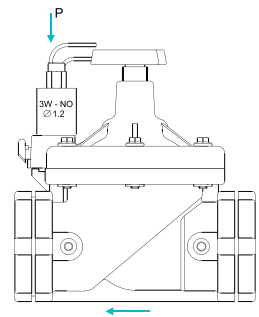
Upstream pilot control



External pilot control



Upstream pilot control



External pilot control

### Technical Data

Solenoid	Supplied with 3W NO 1.2mm G75 operator
Assembly	Upstream pilot control valve is supplied with finger filter and accessories

• For technical information, refer to G75-S | Electric 3/4" - 2" 2 Way NC

### Coil resistance vs input voltage range

Resistance [ $\Omega$ ]	Suitable input voltage range [V]
4	6 - 9
9	12 - 14
12	14 - 16
23	18 - 21

### How to Order

G75-S	PORT	FUNCTION	MANUAL OVERRIDE	FLOW CONTROL	VOLTAGE <sup>(3)</sup>	WIRES					
3/4" BSPT	50	External pilot	4	None	0	with	5	24V AC	1	two	null
3/4" NPT	51	Upstream pilot	4H	Plastic	1	without <sup>(1)</sup>	6	24V AC w/out Diode	1R	three <sup>(2)</sup>	a
1" BSPT	60			Handle <sup>(2)</sup>	2			12 V AC	3		
1" NPT	61							12 V DC	4		
1-1/2" BSPT	70							24V DC	5		
1-1/2" NPT	71							23 $\Omega$	6		
2" BSPT	80							4 $\Omega$	B		
2" NPT	81							9 $\Omega$	C		
								12 $\Omega$	D		

Example : G75-S-704151

G75 1-1/2" BSPT, external pilot, plastic manual override, with flow control, 24V AC, two wires

G75-S - 70 4 1 5 1

(1) For 3/4", 1" valves only

(2) For Latch only

(3) For Latch : Refer to coil resistance vs input voltage table

\* To order valves manufactured according to your specific requirements, please contact our technical sales department



# ELECTRIC/HYDRAULIC VALVES

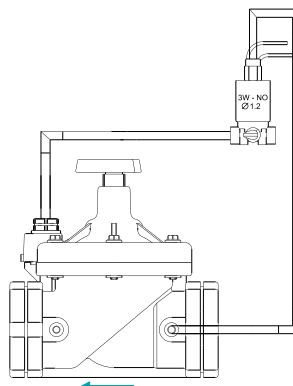
## G75-SE | 3 Way External solenoid pilot control 3/4" - 2" NC, NO



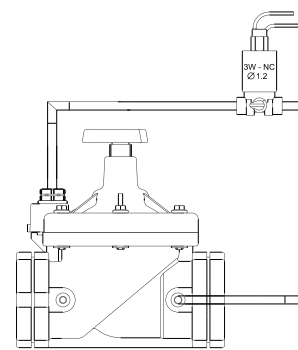
NC valve



NO valve



NC valve



NO valve

### Technical Data

Solenoid	Supplied with 3W 1.2mm G75 solenoid
Assembly	Supplied with finger filter and accessories

• For technical information, refer to G75-S | Electric 3/4" - 2" 2 Way NC

### Coil resistance vs input voltage range

Resistance [ $\Omega$ ]	Suitable input voltage range [V]
4	6 - 9
9	12 - 14
12	14 - 16
23	18 - 21

### How to Order

G75-SE	PORT	FUNCTION <sup>(3)</sup>	MANUAL OVERRIDE	FLOW CONTROL	VOLTAGE <sup>(4)</sup>	WIRES					
3/4" BSPT	50	2W NC	1	None	0	with	5	24V AC	1	two	null
3/4" NPT	51	2W NO	2	Plastic	1	without <sup>(1)</sup>	6	24V AC w/out Diode	1R	three <sup>(2)</sup>	a
1" BSPT	60							12 V AC	3		
1" NPT	61							12 V DC	4		
1-1/2" BSPT	70							24V DC	5		
1-1/2" NPT	71							23 $\Omega$	6		
2" BSPT	80							4 $\Omega$	B		
2" NPT	81							9 $\Omega$	C		
								12 $\Omega$	D		

Example : G75-SE-702151

G75 1-1/2" BSPT, 2W NO, plastic manual override, with flow control, 24V AC, two wires

G75-SE - 70 2 1 5 1

(1) For 3/4", 1" valves only

(2) For Latch only

(3) Refers to the valve : 3W NC solenoid = NO valve  
3W NO solenoid = NC valve

(4) For Latch : Refer to coil resistance vs input voltage table

\* To order valves manufactured according to your specific requirements, please contact our technical sales department

# ELECTRIC/HYDRAULIC VALVES | GEM & G75

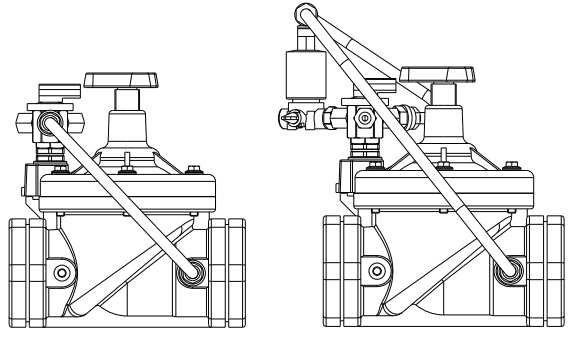
## G75-SM | 3 Way Manual selector 3/4" - 2" NC, NO



3W Manual selector | 1"



3W Manual selector | 2"  
with solenoid



3W Manual selector

Manual selector with external  
3W NO solenoid

### Technical Data

Solenoid	Supplied with 3W 12mm G75 solenoid
Assembly	Supplied with finger filter and accessories
Manual override	Manual override with 3 positions : <ul style="list-style-type: none"> <li>• <b>AUTO</b> - for automatic operation (valve is open when solenoid is energized)</li> <li>• <b>MANUAL</b> - valve is kept open</li> <li>• <b>CLOSE</b> - valve is kept closed</li> </ul>
Pressure	A minimum pressure differential of 1 bar is required

• For technical information, refer to G75-S | Electric 3/4" - 2" 2 Way NC

### Coil resistance vs input voltage range

Resistance [ $\Omega$ ]	Suitable input voltage range [V]
4	6 - 9
9	12 - 14
12	14 - 16
23	18 - 21

### How to Order

G75-SM	-	PORT	FUNCTION <sup>(1)</sup>	FLOW CONTROL	VOLTAGE <sup>(4)</sup>	WIRES	
		3/4" BSPT	50	2W NC 1	with 5	No solenoid (hydraulic) 0	two null
		3/4" NPT	51	2W NO 2	without <sup>(2)</sup> 6	24V AC 1	three <sup>(3)</sup> a
		1" BSPT	60			24V AC w/out Diode 1R	
		1" NPT	61			12V AC 3	
		1-1/2" BSPT	70			12V DC 4	
		1-1/2" NPT	71			24V DC 5	
		2" BSPT	80			23 $\Omega$ 6	
		2" NPT	81			4 $\Omega$ B	
						9 $\Omega$ C	
						12 $\Omega$ D	

Example : G75-SM-70151

G75 3 Way manual selector valve, 1-1/2" BSPT, 2W NC with flow control, 24V AC, two wires

G75-SM - 70 1 5 1

(1) Refers to the valve : 3W NC solenoid = NO valve  
3W NO solenoid = NC valve

(2) For 3/4", 1" valves only

(3) For Latch only

(4) For Latch : Refer to coil resistance vs input voltage table

\* To order valves manufactured according to your specific requirements, please contact our technical sales department

# ELECTRIC/HYDRAULIC VALVES

## G75-PR | Pressure reducing 3/4" - 2" 2 Way NC

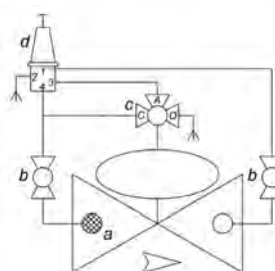


2" | Electric pressure reducing | 0,5-5 bar

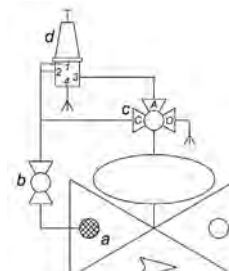
### Main Components

	DESCRIPTION
a	Self flushing filter
b	Isolation ball valve (optional)
c	3W Manual selector valve
d	Multi-functional pilot valve

### Pressure Reducing | PR



### Pressure Sustaining | PS Quick Pressure Relief | QR



### Technical Data

Solenoid	Supplied with 3W NO 1.2mm G75 operator
Assembly	Supplied with finger filter
Manual override	The XR100 has a manual override with 3 positions : <ul style="list-style-type: none"> <li>• <b>AUTO</b> - for automatic operation (valve is open when solenoid is energized)</li> <li>• <b>MANUAL</b> - valve is kept open</li> <li>• <b>CLOSE</b> - valve is kept closed</li> </ul>
Pressure	<ul style="list-style-type: none"> <li>• Pilot pressure must be equal to, or higher than line pressure</li> <li>• A minimum pressure differential of 1 bar is required</li> </ul>

• For technical information, refer to G75-S | Electric 3/4" - 2" 2 Way NC

### Voltage & Power Consumption

	AC (W) 50 Hz	DC (W)
V	2	4.5
12	•	•
24	•	•

• Available options

### Coil resistance vs input voltage range

Resistance [Ω]	Suitable input voltage range [V]
4	6 - 9
9	12 - 14
12	14 - 16
23	18 - 21

### How to Order

G75-PR	PORT	FUNCTION	FLOW CONTROL	VOLTAGE <sup>(3)</sup>	WIRES	PRESSURE RANGE
	3/4" BSPT 50	2W NC 1	with 5	No solenoid (hydraulic)	0	0,5-5 bar Y
	3/4" NPT 51		without <sup>(1)</sup> 6	24V AC	1	1-10 bar G
	1" BSPT 60			24V AC w/out Diode	1R	
	1" NPT 61			12V AC	3	
	1-1/2" BSPT 70			12V DC	4	
	1-1/2" NPT 71			24V DC	5	
	2" BSPT 80			23Ω	6	
	2" NPT 81			4Ω	B	
				9Ω	C	
				12Ω	D	

Example : G75-PR-70151Y

G75 pressure reducing valve, 1-1/2" BSPT, 2W NC with flow control, 24V AC, two wires, 0,5-5 bar

G75-PR - 70 1 5 1 Y

(1) For 3/4", 1" valves only

(2) For Latch only

(3) For Latch : Refer to coil resistance vs input voltage table

\* To order valves manufactured according to your specific requirements, please contact our technical sales department

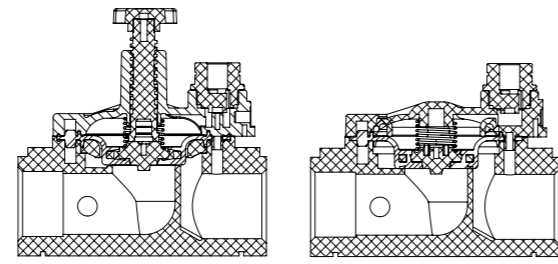
# ELECTRIC/HYDRAULIC VALVES | GEM & G75

## G75-S | Hydraulic 3/4"- 2" 2 Way



1" | no inline pilot port | with flow control

1-1/2" | upstream inline pilot port | with flow control

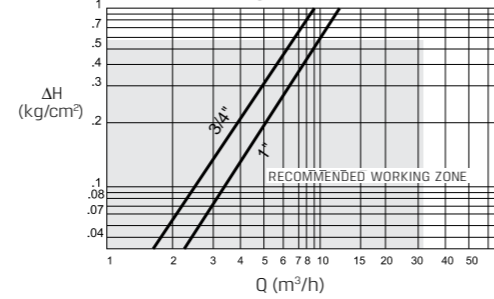


with flow control      without flow control

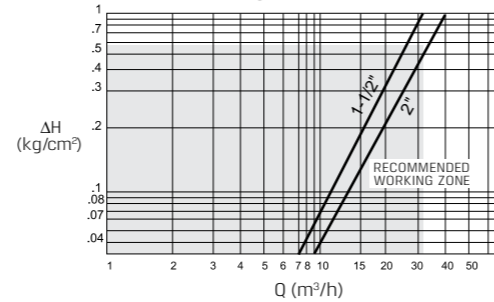
### Technical Data

Function	2 Way
Ports size	3/4", 1", 1-1/2", 2" BSPT & NPT
Pressure range	0.3 to 10bar
Temperature range	<b>Fluid</b> : 5°C to 50°C (no freezing)
Materials in contact with media	<b>Main Valve:</b> Reinforced Nylon <b>Diaphragm:</b> NR <b>Seals:</b> Buna - N <b>Spring:</b> Stainless Steel AISI 300 series

### Head loss for fully open valve

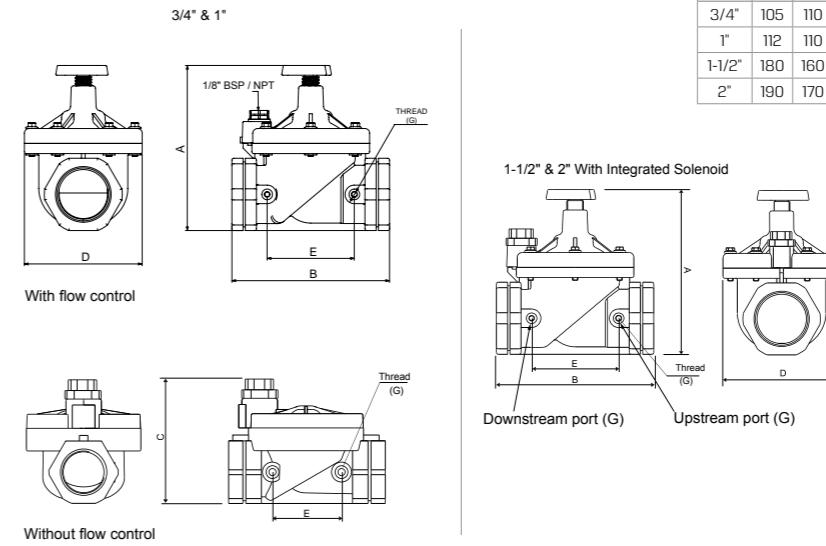


### Head loss for fully open valve

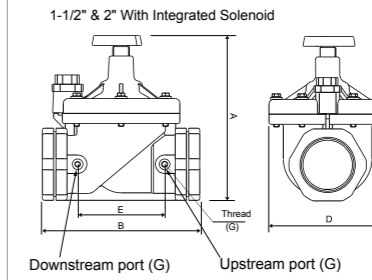


## G75-S | Hydraulic 3/4"- 2" 2 Way

### Dimensions



Size	A	B	C	D	E	ØG	Weight (gr.)
3/4"	105	110	77	81	52.5	1/8"NPT/BSP	230
1"	112	110	84	81	48.5	1/8"NPT/BSP	230
1-1/2"	180	160	98	127	92	1/4"NPT/BSP	740
2"	190	170	98	127	94	1/4"NPT/BSP	790



### How to Order

G75-S	PORT	FUNCTION INLINE PILOT PORTS	FLOW CONTROL
3/4" BSPT	50	none	0 with 5
3/4" NPT	51	upstream only	1 without (1) 6
1" BSPT	60	downstream only	2
1" NPT	61	both	3
1-1/2" BSPT	70		
1-1/2" NPT	71		
2" BSPT	80		
2" NPT	81		

Example : G75-S-5015

G75 hydraulic valve, 3/4" BSPT, 1/8" upstream inline pilot port, with flow control

G75-S - 50 - 1 - 5

(1) 3/4", 1" valves only

\* To order valves manufactured according to your specific requirements, please contact our technical sales department