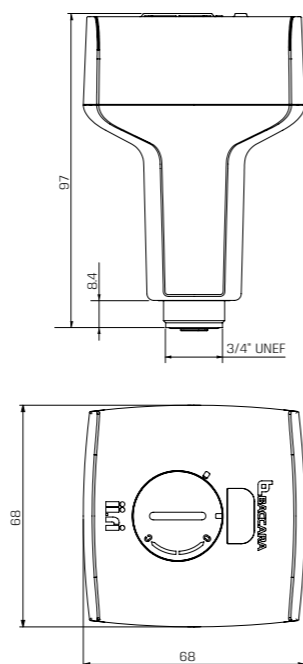




# CONTROLLERS & SPECIAL VALVES

## ii.ri-C | Smart Irrigation Controller 2 Way



- Single station Irrigation Controller
- Wireless operated by smart device
- Four irrigation program types
- Minimum required iOS 7 or Android V4.3
- Battery included

### Technical Data

Function	2 Way Latch
Pressure range	0 to 8 bar
Temperature range	<b>Fluid</b> : 5° to 50°C (no freezing) <b>Ambient</b> : -5° to 50°C
Communication protocol	Wireless BLE
App Downloading	 
Pairing code	Not required
Communication range	Up to 10 m (32.8 feet)
Battery type	CR123
Mounting	Direct mounting on UNEF 3/4"
Standard / Certification	• CE • Federal Communications Commission (FCC)
Standard protection class	• Dust and watertight IP68

## ii.ri-C | Smart Irrigation Controller 2 Way

### Programming key features

- Four different irrigation plans

Weekly	Interval Days	Even / Odd Days	Window
Irrigation each day of the week	Periodical days up to 98 periods	Even / odd calendar dates	Repeated cycles within a defined time frame
Set up to 6 cycles per day			Set cycle On and Off duration
Option to set different irrigation durations per cycle			Set start and end times for irrigation

### How to Order

ii.ri-C	PORT	FLOW CONTROL	COLOR
	None	Null	with 5
	3/4" BSPT	50	without <sup>(1)</sup> 6
	3/4" NPT	51	Off-white SNOW
	1" BSPT	60	Grey CLOUD
	1" NPT	61	Sky blue SKY
	1-1/2" BSPT	70	Sea blue SEA
	1-1/2" NPT	71	Green LEAVES
	2" BSPT	80	
	2" NPT	81	

Example : ii.ri-C-51-6-CLOUD

ii.ri smart irrigation controller with 3/4" NPT valve, without flow control, color CLOUD

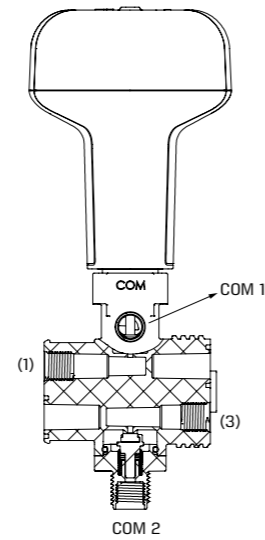


(1) For 3/4" and 1" valves only

\* To order controllers manufactured according to your specific requirements, please contact our technical sales department



# CONTROLLERS & SPECIAL VALVES

## ii.ri-C-VSA | Smart Irrigation Controller 3 Way



- Single station Irrigation Controller
- Wireless operated by smart device
- Four irrigation program types
- Minimum required iOS 7 or Android V4.3
- Battery included

### Technical Data

Function	3 Way Latch
Pressure range	0 to 8 bar
Temperature range	<b>Fluid</b> : 5° to 50°C (no freezing) <b>Ambient</b> : -5° to 50°C
Communication protocol	Wireless BLE
App Downloading	 
Pairing code	Not required
Communication range	Up to 10 m (32.8 feet)
Battery type	CR123
Mounting	Direct mounting on UNEF 3/4"
Standard / Certification	• CE • Federal Communications Commission (FCC)
Standard protection class	• Dust and watertight IP68

PORT	NO	NC
1	Exhaust	Pressure
3	Pressure	Exhaust
COM	Out	Out

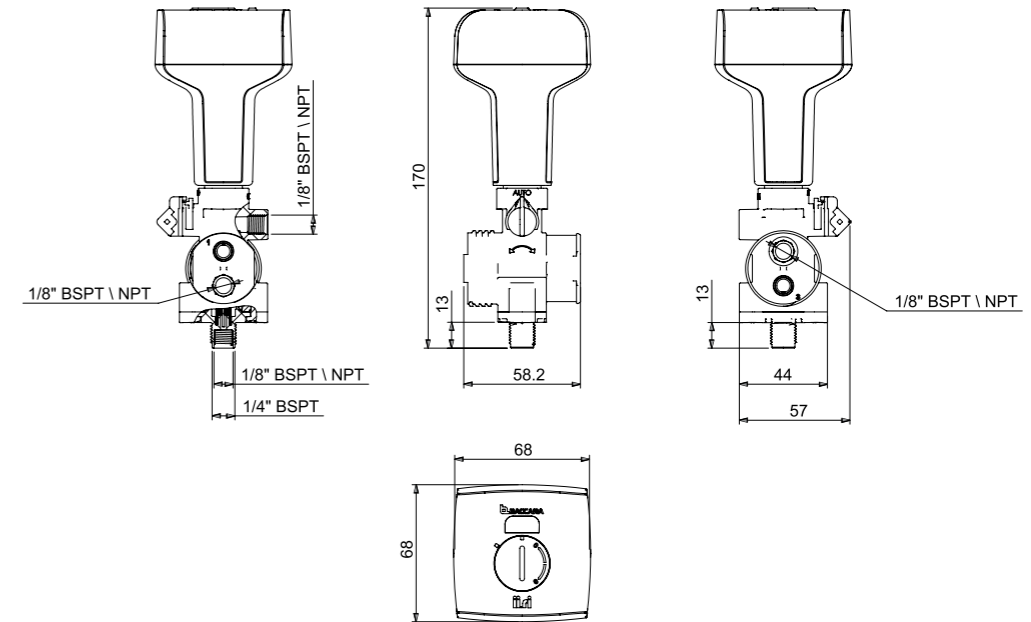
### Programming key features

- Four different irrigation plans

Weekly	Interval Days	Even / Odd Days	Window
Irrigation each day of the week	Periodical days up to 98 periods	Even / odd calendar dates	Repeated cycles within a defined time frame
Set up to 6 cycles per day			Set cycle On and Off duration
Option to set different irrigation durations per cycle			Set start and end times for irrigation

## ii.ri-C-VSA | Smart Irrigation Controller 3 Way

### Dimensions



### How to Order

ii.ri-C-VSA	BODY	PORT	FUNCTION	SEALS			
Plastic	4	1/8" BSP 1/8" NPT	10 11	3W NC 3W NO	3 4	EPDM	E

Example : ii.ri-C-VSA-4103E

ii.ri smart irrigation controller with 1/8" BSP valve, 3W NC, EPDM seals



\* To order controllers manufactured according to your specific requirements, please contact our technical sales department

# CONTROLLERS & SPECIAL VALVES



## G75-C | Irrigation controller | 1, 2 & 4 Valves

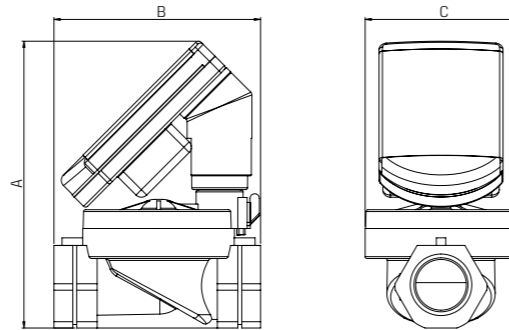


G75 One Valve

G75 Two Valves

G75 Four Valves

Size	A	B	C
3/4"	145	110	81
1"	153	110	81
1-1/2"	166	160	127
2"	166	170	127



### Technical Data

Operating temperature	-10° to 60°C
Mounting	<p>Various mounting options :</p> <ul style="list-style-type: none"> <li>• Directly on a 28mm diameter solenoid in horizontal or vertical position with adaptor</li> <li>• Wall mounting with four screws</li> <li>• Accessories provided</li> </ul>
Electrical	<p>Powered by single 9V alkaline battery, use best quality to ensure at least one year's autonomous operation.</p> <ul style="list-style-type: none"> <li>• Back-up memory</li> <li>• Low battery warning</li> <li>• Power saving LCD</li> <li>• Battery included</li> </ul>
Solenoid	Compatible with G75 4Ω latch operator
Valve	Can operate any valve equipped with 3/4" UNEF solenoid cavity (Richdel® type)
Software	<ul style="list-style-type: none"> <li>• 24 hours real time clock</li> <li>• See 'Programming key features' table</li> </ul>
Options	<ul style="list-style-type: none"> <li>• Solar panel</li> <li>• Charger</li> <li>• Accurate clock (low time drift)</li> </ul>
Standard / Certification	CE
Standard protection class	<ul style="list-style-type: none"> <li>• Dust and watertight</li> <li>• IP67 and NEMA 4X</li> </ul>

### Mounting options



## G75-C | Irrigation controller | 1, 2 & 4 Valves

### Programming key features

One Valve	Two Valves	Four Valves
Once daily, at the same time	Up to three starts per day	Up to three starts per day
Once daily on selected days	Starts select	Starts select
Three starts per day	Day select	Day select
OFF	Season adjustment 10% - 200%	Season adjustment 10% - 200%
	OFF	OFF
		Master valve will be opened for each command

### How to Order

G75-C	TYPE OF CONTROLLER	VALVE 1	VALVE 2	VALVE 3	VALVE 4	MASTER VALVE <sup>(2)</sup>
	One valve 1	No valve 00	No valve 00	No valve 00	No valve 00	No valve 00
	Two valves 2	3/8" BSP 30	3/8" BSP 30	3/8" BSP 30	3/8" BSP 30	3/8" BSP 30
	Four valves 4	3/8" NPT 31	3/8" NPT 31	3/8" NPT 31	3/8" NPT 31	3/8" NPT 31
		1/2" BSP 40	1/2" BSP 40	1/2" BSP 40	1/2" BSP 40	1/2" BSP 40
		1/2" NPT 41	1/2" NPT 41	1/2" NPT 41	1/2" NPT 41	1/2" NPT 41
		3/4" BSP 50	3/4" BSP 50	3/4" BSP 50	3/4" BSP 50	3/4" BSP 50
		3/4" NPT 51	3/4" NPT 51	3/4" NPT 51	3/4" NPT 51	3/4" NPT 51
		1" BSP 60	1" BSP 60	1" BSP 60	1" BSP 60	1" BSP 60
		1" NPT 61	1" NPT 61	1" NPT 61	1" NPT 61	1" NPT 61
		1-1/2" BSP 70	1-1/2" BSP 70	1-1/2" BSP 70	1-1/2" BSP 70	1-1/2" BSP 70
		1-1/2" NPT 71	1-1/2" NPT 71	1-1/2" NPT 71	1-1/2" NPT 71	1-1/2" NPT 71
		2" BSP 80	2" BSP 80	2" BSP 80	2" BSP 80	2" BSP 80
		2" NPT 81	2" NPT 81	2" NPT 81	2" NPT 81	2" NPT 81
		<b>G75-A *</b>	<b>G75-A *</b>	<b>G75-A *</b>	<b>G75-A *</b>	<b>G75-A *</b>

### \* G75-A

TYPE	PORT	FUNCTION	MANUAL OVERRIDE	ORIFICE
with flange 1	1/8" BSP	10	2W NC 1	None 0
without flange 2	1/8" NPT	11	3W NC 3	1.0 1
Brass 3	1/4" BSP <sup>(1)</sup>	20	3W NO 4	1.2 2
	1/4" NPT <sup>(1)</sup>	21		1.6 3

1) Example : G75-C-2-50-60

GEVA 75 **Two Valves controller** :

Valve 1 : 3/4" BSP, Valve 2 : 1" BSP

G75-C - 2 - 50 - 60

2) Example : G75-C-4-50-70-80-00-60

GEVA 75 **Four Valves controller** :

Valve 1 : 3/4" BSP, Valve 2 : 1-1/2" BSP, Valve 3 : 2" BSP,

Valve 4 : No Valve, Master Valve : 1" BSP

G75-C - 4 - 50 - 70 - 80 - 00 - 60

3) Example : G75-C-2-60-G75-A-110102

GEVA 75 **Two Valves controller** :

Valve 1 : 1" BSP, Valve 2 : G75-A with flange, 1/8" BSP, 2W NC, no manual override, 1.2 orifice

G75-C - 2 - 60 - G75-A - 1 10 1 0 2

(1) Brass only

(2) For Four Valves controller only

\* To order controllers manufactured according to your specific requirements, please contact our technical sales department

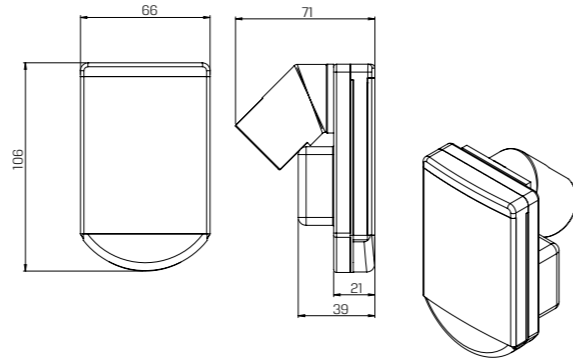
# CONTROLLERS & SPECIAL VALVES



## G75-C-1W & 1W+ | Irrigation window controller



G75 Window +



Irrigation cycles within a defined time frame

### Technical Data

Operating temperature	-10° to 60°C
Mounting	<p>Various mounting options :</p> <ul style="list-style-type: none"> <li>• Directly on a 28mm diameter solenoid in horizontal or vertical position with adaptor</li> <li>• Wall mounting with four screws</li> <li>• Accessories provided</li> </ul>
Electrical	<p>Powered by single 9V alkaline battery, use best quality to ensure at least one year's autonomous operation.</p> <ul style="list-style-type: none"> <li>• Back-up memory</li> <li>• Low battery warning</li> <li>• Power saving LCD</li> <li>• Battery included</li> </ul>
Solenoid	<p>Both Window and Window+ controllers have identical programming.</p> <ul style="list-style-type: none"> <li>• <b>Window</b> : compatible with G75 4Ω latch operator</li> <li>• <b>Window+</b> : has a stronger output to operate G80 latch and GEM-SOL 'IL' latch coils</li> </ul>
Valve	<ul style="list-style-type: none"> <li>• <b>Window</b> : can operate any valve equipped with 3/4" UNEF solenoid cavity (Richdel® type)</li> <li>• <b>Window+</b> : only with Baccara latch valve</li> </ul>
Software	<ul style="list-style-type: none"> <li>• 24 hours real time clock</li> <li>• See 'Programming key features' table</li> </ul>
Options	<ul style="list-style-type: none"> <li>• Solar panel</li> <li>• Charger</li> <li>• Accurate clock (low time drift)</li> </ul>
Standard / Certification	CE
Standard protection class	<ul style="list-style-type: none"> <li>• Dust and watertight</li> <li>• IP67 and NEMA 4X</li> </ul>

### Mounting options

Wall mounting



Horizontal mounting



## G75-C-1W & 1W+ | Irrigation window controller

### Programming key features

Set start and end hours
Set On time (1 second to 12 hours)
Set Off time (1 min to 12 hours)
Day select
OFF

### How to Order : G75 Window

G75-C-1W	-	VALVE
		No valve 00
		3/8" BSP 30
		3/8" NPT 31
		1/2" BSP 40
		1/2" NPT 41
		3/4" BSP 50
		3/4" NPT 51
		1" BSP 60
		1" NPT 61
		1-1/2" BSP 70
		1-1/2" NPT 71
		2" BSP 80
		2" NPT 81
		<b>G75-A *</b>

\* This controller will only operate with G75 operators

\* G75-A

TYPE	PORT	FUNCTION	MANUAL OVERRIDE	ORIFICE
with flange 1	1/8" BSP 10	2W NC 1	None 0	1.0 1
without flange 2	1/8" NPT 11	3W NC 3		1.2 2
Brass 3	1/4" BSP (1) 20	3W NO 4		1.6 3
	1/4" NPT (1) 21			

Example : G75-C-1W-50

GEVA 75 Window controller with 3/4" BSP valve.



(1)Brass only

### How to Order : G75 Window+

G75-C-1W+	-	VALVE
		Refer to How to Order section of GEM-SOL valves. Consult with us to discuss your specific requirements.

Example : G75-C-1W+-GEM-A-21045N0

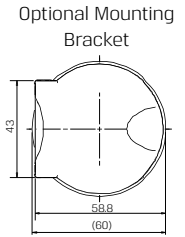
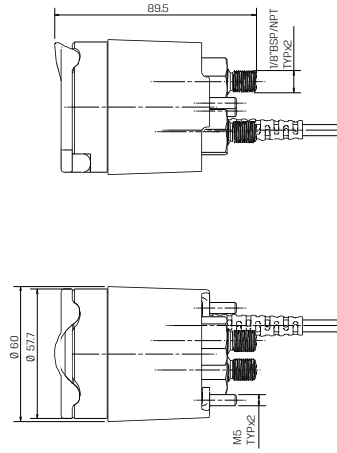
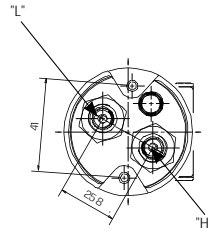
GEVA 75 Window+ controller with : GEM-A valve, brass, 1/8" BSP, 3W NO, 2.4 orifice, NBR, no manual override.



\* To order controllers manufactured according to your specific requirements, please contact our technical sales department

# CONTROLLERS & SPECIAL VALVES

## G75-DP | Baccara Differential Pressure Gauge Switch



- Reads and reacts to pressure differential between two reading points
- Suitable to work with both media - air and liquid
- Main applications : filters backwash, pumps control, pressure control

### Technical Data

Mechanical	<ul style="list-style-type: none"> <li>• Operating temperature : -10°C to 60°C (no freezing)</li> <li>• Outdoor UV protection</li> <li>• Front panel cover protection</li> <li>• "H" proof pressure : 14 bar (203 PSI)</li> <li>• "H" pressure must be <math>\geq</math> "L" pressure.</li> </ul>
Electrical	<ul style="list-style-type: none"> <li>• Power supply : 6-24V DC or 12-24V AC</li> <li>• RED + BLK power supply</li> <li>• GRN / WHT N.O contact</li> <li>• Low power detect</li> <li>• Dry contact (N.O) 0.5A at 24V AC</li> <li>• Internal memory to retain "set-up data" at power down.</li> </ul>
Mounting	<ul style="list-style-type: none"> <li>• 2" (52mm) diameter</li> <li>• 2ft (60cm) 4 wires cable</li> <li>• Pressure ports 1/8" BSP/NPT (male)</li> <li>• High pressure port is marked by the letter "H" on the housing</li> <li>• Connect high pressure before low pressure</li> <li>• Disconnect low pressure before high pressure</li> </ul>
Software	See 'Programming key features' table
Display	<p><b>The LCD display :</b></p> <ul style="list-style-type: none"> <li>• <b>DIF</b> : measured differential pressure</li> <li>• <b>SET</b> : pressure differential trigger setting</li> <li>• <b>ON</b> : displayed when the switch contacts are closed</li> </ul> <p><b>Display resolution :</b></p> <ul style="list-style-type: none"> <li>1 PSI in the range 0 - 99 psi</li> <li>0.1 bar in the range 0.0 - 7 bar</li> </ul>
Standard protection class	<ul style="list-style-type: none"> <li>• Dust and watertight</li> <li>• IP66</li> </ul>

### Programming key features

Manual operation
PSI or bar display
Time interval between pressure measurements
Contact closed time
Time interval between contact closure
Zero calibration

### How to Order

G75-DP	-	TYPE	ACCESSORIES	
		Stand alone	1	Mounting bracket Latch solenoid driver
				B D

#### Example : G75-DP-1BD

Baccara Differential Pressure Gauge Switch, stand alone with mounting bracket and latch solenoid driver.



\* To order special valves manufactured according to your specific requirements, please contact our technical sales department

# CONTROLLERS & SPECIAL VALVES

## G75-DFC-DC | Baccara Filtration Controller Set (DFC)



- Filtration backwash controller 1-3 stations
- Main valve output is optional
- Backwash by DP or time interval
- The assembly includes controller and differential pressure sensor
- Mounting bracket optional

### Technical Data

Controller Set   Supplied with	DFC controller, suitable for DC only, and one analog sensor
Mechanical	<ul style="list-style-type: none"> <li>• Operating temperature : -10°C to 60°C</li> <li>• Outdoor UV protection</li> <li>• Front panel cover protection</li> <li>• "H" proof pressure : 14 bar (203 PSI)</li> <li>• "H" pressure must be <math>\geq</math> "L" pressure.</li> </ul>
Electrical	DC units are powered by single 9V alkaline battery; use best quality to ensure at least one year's autonomous operation. <ul style="list-style-type: none"> <li>• Back-up memory</li> <li>• Low battery warning</li> <li>• Power saving LCD</li> </ul>
Mounting	<ul style="list-style-type: none"> <li>• Pressure ports 1/8" BSP/NPT (male)</li> <li>• High pressure port is marked by the letter "H" on the housing</li> <li>• Connect high pressure before low pressure</li> <li>• Disconnect low pressure before high pressure</li> </ul> <b>Controller :</b> <ul style="list-style-type: none"> <li>• Directly on a 28mm diameter solenoid in horizontal or vertical position with adaptor</li> <li>• Wall mounting with four screws</li> <li>• Accessories provided   Sensor : 2" (52 mm diameter)</li> </ul>
Software	See 'Programming key features' table
Options	Option to change default factory settings
Standard protection class	• IP66   Dust and watertight
Solenoid	G75-A, GALIT Latch 4Ω, G75-A3P 1Ω

### Programming key features

Manual operation
Valve ON time
Maximum time interval between washes
Valve selection

### How to Order

G75-DFC-DC	-	TYPE	-	MOUNTING BRACKET
		3 Valves	0	without 0
		3 Valves + 1 Main Valve	1	with 1

Example : G75-DFC-DC-1-1

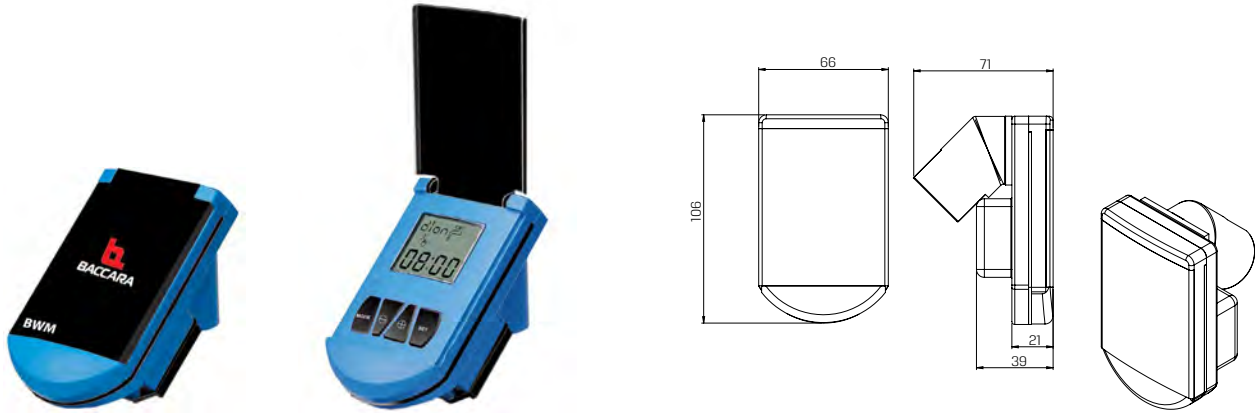
GEVA 75 DFC-DC, 3 Valves + 1 Main valve, with mounting bracket



\* To order controllers manufactured according to your specific requirements, please contact our technical sales department

# CONTROLLERS & SPECIAL VALVES

## G75-BWM | Baccara Water Meter Controller



- Single station water volume controller
- Connected to a water meter with pulse outlet
- Opens at a set time and closes when required water volume has been reached

### Technical Data

Operating temperature	-10° to 60°C
Electrical	Powered by single 9V alkaline battery; use best quality to ensure at least one year's autonomous operation. <ul style="list-style-type: none"> <li>• Back-up memory</li> <li>• Low battery warning</li> <li>• Power saving LCD</li> <li>• Battery included</li> </ul>
Mounting	Various mounting options : <ul style="list-style-type: none"> <li>• Directly on a 28mm diameter solenoid in horizontal or vertical position with adaptor</li> <li>• Wall mounting with four screws</li> <li>• Accessories provided</li> </ul>
Solenoid	Compatible with G75 4Ω latch operator
Measurement units per pulse	100 liters   1m <sup>3</sup>   10m <sup>3</sup>   100 gallons   1000 gallons
Software	<ul style="list-style-type: none"> <li>• 24 hours real time clock</li> <li>• See 'Programming key features' table</li> </ul>
Options	Solar panel, charger
Standard protection class	<ul style="list-style-type: none"> <li>• Dust and watertight</li> <li>• IP67 and NEMA 4X</li> </ul>

### Programming key features

Set start time
Set required water volume
Day select
OFF

### How to Order

G75-BWM	-	VALVE
		No valve 00
		3/8" BSP 30
		3/8" NPT 31
		1/2" BSP 40
		1/2" NPT 41
		3/4" BSP 50
		3/4" NPT 51
		1" BSP 60
		1" NPT 61
		1-1/2" BSP 70
		1-1/2" NPT 71
		2" BSP 80
		2" NPT 81
		<b>G75-A *</b>

#### \* G75-A

	TYPE	PORT	FUNCTION	MANUAL OVERRIDE	ORIFICE
with flange	1	1/8" BSP	10 2W NC	1 None	0 1.0 1
without flange	2	1/8" NPT	11 3W NC	3	1.2 2
Brass	3	1/4" BSP <sup>(1)</sup>	20 3W NO	4	1.6 3
		1/4" NPT <sup>(1)</sup>	21		

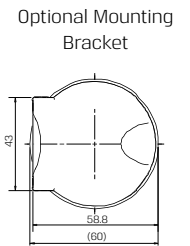
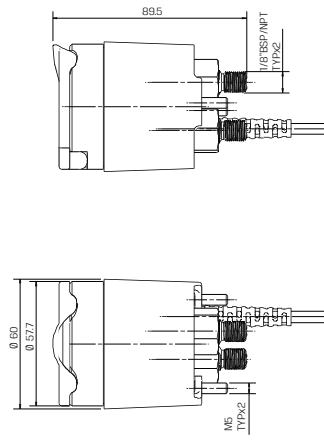
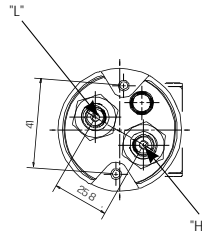
Example : G75-BWM-G75-A-110102  
 G75-A with flange, 1/8" BSP, 2W NC,  
 no manual override, 1.2 orifice

G75-BWM - G75-A - 1 10 1 0 2

\* To order controllers manufactured according to your specific requirements, please contact our technical sales department

# CONTROLLERS & SPECIAL VALVES

## G75-DLS | Digital Level Switch



- Measuring level of two set points : top and bottom
- Gives a signal to pump or valve
- Dry installation - no elements inside the tank
- Main applications : filling or draining of water reservoir and tanks

### Technical Data

Mechanical	<ul style="list-style-type: none"> <li>• Operating temperature : -10°C to 60°C (no freezing)</li> <li>• Outdoor UV protection</li> <li>• Front panel cover protection</li> </ul>
Electrical	<ul style="list-style-type: none"> <li>• Power supply : 6-24V DC or 12-24V AC</li> <li>• RED + BLK power supply</li> <li>• GRN / WHT N.O contact</li> <li>• Low power detect</li> <li>• Dry contact (N.O) 0.5A at 24V AC</li> <li>• Internal memory to retain "set-up data" at power down.</li> </ul>
Mounting	<ul style="list-style-type: none"> <li>• 2" (52mm) diameter</li> <li>• 2ft (60cm) 4 wires cable</li> <li>• Pressure ports 1/8" BSP/NPT (male)</li> <li>• High pressure port is marked by the letter "H" on the housing</li> <li>• Connect the water tank to the "H" port only</li> </ul>
Software	See 'Programming key features' table
Display	<ul style="list-style-type: none"> <li>• The LCD display shows the water level above the DLS mounting place</li> <li>• "ON" is displayed when the switch contacts are closed</li> </ul> <p>Display resolution :</p> <ul style="list-style-type: none"> <li>• 10 cm in a range of 0.0 - 70.0m</li> <li>• 0.01 bar in the range 0.0 - 7 bar</li> </ul>
Standard protection class	<ul style="list-style-type: none"> <li>• Dust and watertight</li> <li>• IP66</li> </ul>

### Programming key features

Manual operation
Time interval between level measurements function
Function : "SET" for fill "RESET" for empty
Zero calibration

### How to Order

G75-DLS	-	TYPE	ACCESSORIES
		Stand alone	1
			Mounting bracket
			Latch solenoid driver
			B
			D

Digital Level Switch, stand alone, with mounting bracket and latch solenoid driver

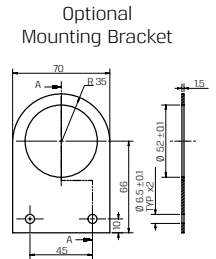
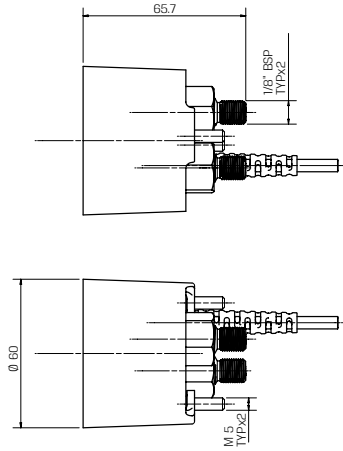
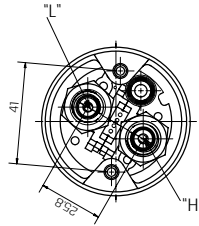
G75-DLS	-	1	B	D
---------	---	---	---	---

\* To order special valves manufactured according to your specific requirements, please contact our technical sales department



# CONTROLLERS & SPECIAL VALVES

## G75-ADP | Baccara Analog Differential Pressure Sensor



- Differential pressure to current transducer
- Suitable to work with both media - air and liquid
- Main application : analog sensor for filters backwash

### Technical Data

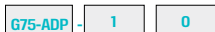
Mechanical	<ul style="list-style-type: none"> <li>• Operating temperature : -10°C to 60°C (no freezing)</li> <li>• Outdoor UV protection</li> <li>• Measuring pressure range : 0-7 bar (0-101.5 PSI)</li> <li>• "H" proof pressure : 14 bar (203 PSI)</li> <li>• "H" pressure must be <math>\geq</math> "L" pressure</li> </ul>
Electrical	<ul style="list-style-type: none"> <li>• Power supply : 5V DC</li> <li>• RED : (+) 5V</li> <li>• BLACK : (-) 5V</li> <li>• ORANGE : analog output</li> <li>• Analog output value : 0.2V to 4.7V, [V out = (0.006429xKpa+0.2)± Error]</li> <li>• Output accuracy : 2.5% of full scale</li> </ul>
Mounting	<ul style="list-style-type: none"> <li>• 2" (52mm) diameter</li> <li>• 2ft (60cm) 3 wires cable</li> <li>• Pressure ports 1/8" BSP/NPT (male)</li> <li>• High pressure port is marked by the letter "H" on the housing</li> <li>• Connect high pressure before low pressure</li> <li>• Disconnect low pressure before high pressure</li> </ul>
Standard protection class	<ul style="list-style-type: none"> <li>• IP66</li> </ul>

### How to Order

G75-ADP	-	TYPE	MOUNTING BRACKET
		Stand alone	1
			without
			with

Example : G75-ADP-10

Baccara Analog Differential Pressure Sensor, stand alone, without mounting bracket



\* To order controllers manufactured according to your specific requirements, please contact our technical sales department