

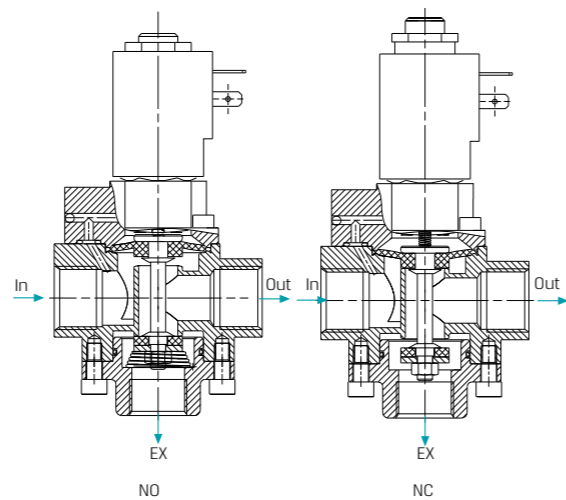
# SOLENOID VALVES | General Purpose

Pilot Operated | 3W

GEM-S | 1/4" - 1/2" 3 Way NC, NO



Brass | 1/2" | knob manual override



## Technical Data

Function	3 Way NC, NO
Ports size	1/4", 3/8", 1/2" BSP & NPT
Pressure range	See table
Kv (l/min)	See table
Temperature range	<b>Fluid</b> : -10°C to 80°C (no freezing) <b>Ambient</b> : -10°C to 50°C
Materials in contact with media	<b>Manual override:</b> NC : Push in lock hydraulic bypass NO : Brass screw or finger knob <b>Main Valve:</b> Brass <b>Solenoid Operator:</b> Stainless Steel AISI 300 & 400 series <b>Seals:</b> NBR, FPM (Viton®), EPDM
Media	Air, water, light oil
Coil voltage	• Voltage and power consumption - see table • All Baccara coil voltages are ± 10% of nominal
Standard protection class	IP65 with connector * Option : IP68 (please refer to GEM-BP Coil)

## Pressure (bar) & Flow table

Size	Orifice (mm)	Pressure (bar)	Kv(l/min)
1/4"	8	0.8 to 12	18
3/8", 1/2"	12		50

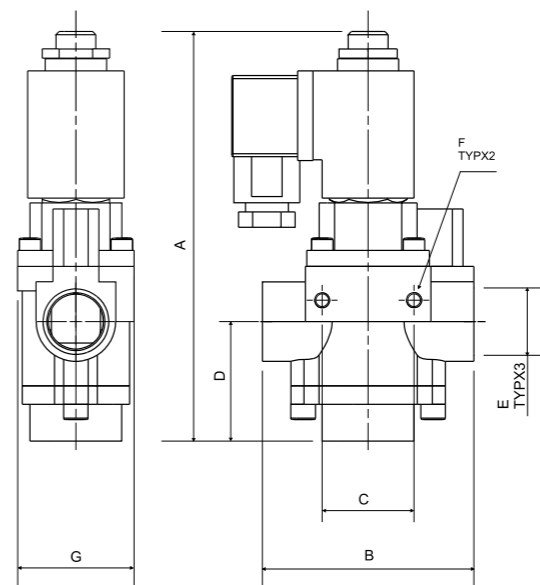
## Voltage & Power Consumption

V	AC (W)						DC (W)		
	50 Hz			60 Hz			10	5.5	3.5
6							•		
12	•			•			•		
24	•			•			•		
48	•			•			•		
110	•			•			•		
120	•			•					
220	•			•					
230	•								
240	•			•			•		

• Available options

Pilot Operated | 3W | GEM-SOL | 1/4" - 1/2" NC, NO

## Dimensions

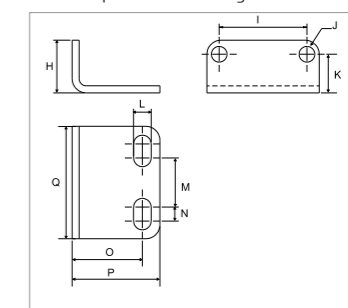


Size	A	B	C	D	E	F	G	Weight with coil
1/4"	124.5	58	25	32.5	1/4"	M4x0.7 Deep 6	32	540gr.
3/8" 1/2"	134	69	30	32.5	1/2"	M5x0.8 Deep 7	38	758gr.

### Optional Mounting Bracket

Size	H	I	J	K	L	M	N	O	P	Q
1/4"	15	25	Ø4.5	11	5	14	4	20	25	32
3/8" 1/2"	20	30	Ø6	13	6	22	4	25	33	40

### Optional Mounting Bracket



## How to Order

GEM-S	BODY	PORT	FUNCTION	SEALS	MANUAL OVERRIDE	BRACKET	VOLTAGE	POWER	CONNECTOR
Brass	2	1/4" BSP	20	3W NC 3	NBR N	None 0	without 0	No coil 0	without 0
		1/4" NPT	21	3W NO 4	FPM (Viton®) V	Slot (1) 2	6 1	AC8W 50Hz 1	with 1
		3/8" BSP	30		EPDM E	Push lock (2) 5	12 2	AC8W 60Hz 2	with LED 2
		3/8" NPT	31				24 3	DC10W 3	with bi-color LED 3
		1/2" BSP	40				48 4		flying leads coil 4
		1/2" NPT	41				110 5		with 1/2" Hub surge protection with LED 5
							120 6		connector with LED 6
							220 7A		connector with moulded cable 7
							230 7		other 9
							240 8		
							Latch/other (3) 9		

Example : GEM-S-2204V21-311

GEM-SOL pilot operated, brass, 1/4" BSP, NO, FPM (Viton®), slot manual override with bracket, 24V AC 8W 50Hz with connector.

GEM-S - 2 20 4 V 2 1 - 3 1 1

(1) For NO only

(2) For NC only

(3) For specifying Latch type coil, please refer to GEM-A3P valve - How to Order table.

\* Note: When ordering without coil, please define what current and pressure rating is needed (DC, AC or ADC), otherwise an ADC valve will be supplied.

\* To order valves manufactured according to your specific requirements, please contact our technical sales department.

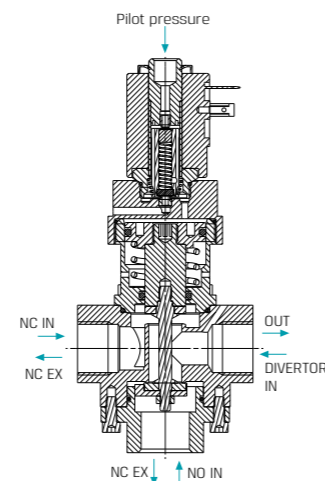
# SOLENOID VALVES | General Purpose

Pilot Operated | 3W

GEM-SE | General purpose 1/4" - 1/2" 3 Way



Brass | 1/4"

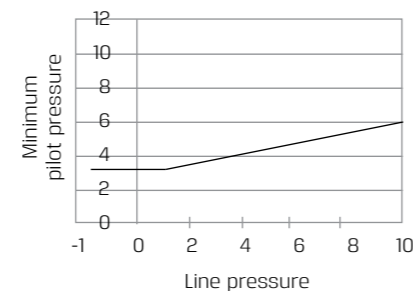


## Technical Data

Function	3 Way General purpose
Ports size	1/4", 3/8", 1/2" BSP & NPT
Pressure range	• See table * Min. pilot pressure : 1.5 bar (for other, see graph)
Kv (l/min)	See table
Temperature range	<b>Fluid</b> : -10°C to 80°C (no freezing) <b>Ambient</b> : -10°C to 50°C
Materials in contact with media	<b>Main Valve:</b> Brass <b>Solenoid Operator:</b> Stainless Steel AISI 300 & 400 series <b>Seals:</b> NBR, FPM (Viton®), EPDM Piston seal PU* * other seals available upon request
Media	Air, water, oil
Standard protection class	IP65 with connector * Option : IP68 (please refer to GEM-BP Coil)

## Pressure (bar) & Flow table

Size	Orifice(mm)	Pressure (bar)	Kv(l/min)
1/4"	8	0 to 10	12
3/8"	12		16
1/2"	12		35



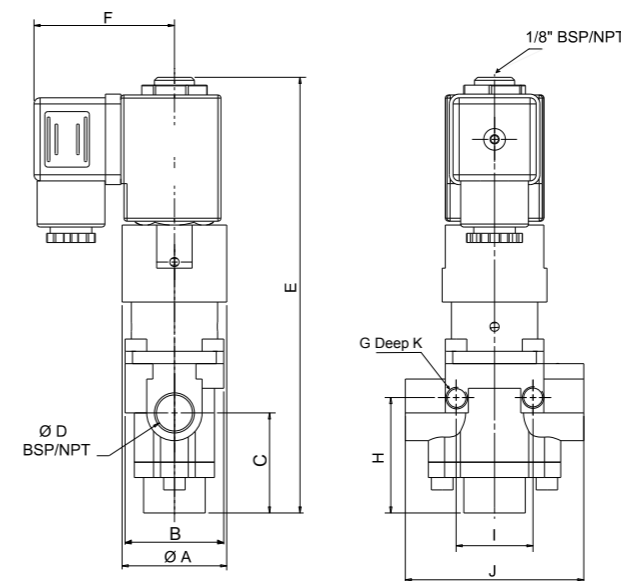
## Voltage & Power Consumption

V	AC (W)						DC (W)		
	50 Hz			60 Hz			10	5.5	3.5
6							•	•	
12	•			•			•	•	
24	•	•		•	•		•		
48	•			•			•		
110	•			•	•		•		
120	•			•					
220	•	•		•			•		
230	•	•							
240	•			•			•		

• Available options

Pilot Operated | 3W | GEM-SOL | General purpose 1/4" - 1/2"

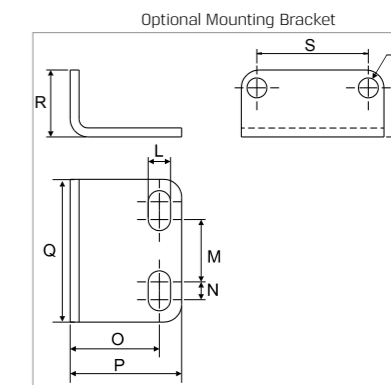
## Dimensions



Size	A	B	C	D	E	F	G	H	I	J	K
1/4"	34	32	32.5	1/4"	141.5	45.6	M4	37.5	25	58	6
3/8"	45	38	41	3/8"	155	45.6	M5	47	30	69	7
1/2"				1/2"							

### Optional Mounting Bracket

Size	L	M	N	O	P	Q	R	S	T	U
1/4"	5	14	4	20	25	32	15	25	Ø4.5	11
3/8"	6	22	4	25	33	40	20	30	Ø6	13
1/2"										



## How to Order

GEM-SE	BODY	PORT	FUNCTION	SEALS	BRACKET	VOLTAGE	POWER	CONNECTOR							
Brass	2	1/4" BSP	20	general purpose	9	NBR	N	without	0	W/out coil	0	No coil	0	without	0
		1/4" NPT	21			FPM (Viton®)	V	with	1	6	1	AC8W 50Hz	1	with	1
		3/8" BSP	30			EPDM	E			12	2	AC8W 60Hz	2	with LED	2
		3/8" NPT	31							24	3	DC10W	3	with bi-color LED	3
		1/2" BSP	40							48	4	AC5.5W 50Hz	4	flying leads coil	4
		1/2" NPT	41							110	5	AC5.5W 60Hz	5	with 1/2" Hub	5
										120	6	DC5.5W	7	surge protection with LED connector with moulded cable	6
										220	7A			with LED connector with moulded cable	7
										230	7			other	9
										240	8				
										Latch/other (1)	9				

Example : GEM-SE-2209N0-331

GEM-SOL general purpose pilot operated, brass, 1/4" BSP, 3W general purpose, NBR, without bracket, 24V DC 10W with connector.

GEM-SE - 2 20 9 N 0 - 3 3 1

(1) For specifying Latch type coil, please refer to GEM-A3P valve - How to Order table.

\* Note: When ordering without coil, please define what current and pressure rating is needed (DC, AC or ADC), otherwise an ADC valve will be supplied.

\* To order valves manufactured according to your specific requirements, please contact our technical sales department.