

Multiple Level Switch LS-400E (1-4 switch points)

MULTI POINT

Max. contact loads of the reed switch:
 SPST 50 VA; 0.5 A; 250 VAC (NC/NO).
 SPDT 10VA; 0.3A; 100 Vdc
 (Higher voltage on request).
 The data NC/NO are defined for an empty tank.

Specifications

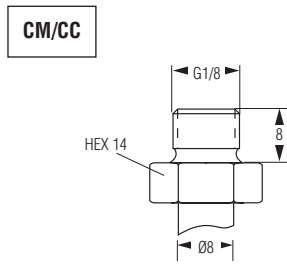
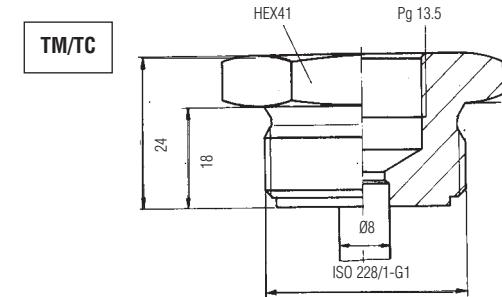
Materials		
Stem	Brass	Stainless Steel
Mounting type	Brass	Stainless Steel
Float	Buna N	Stainless Steel
Operating pressure	10 bar	20 bar
Float temperature*	-20°C ... +80°C Water -20°C ... +110°C Oil	-20°C ... +150°C
Min. specific gravity of the liquid	0.46 g/cm ³	0.85 g/cm ³
Depth of immersion at a density of 1	~9mm	~21mm
Protection rating	IP65 (IP64 for Potted Cable/Leads)	



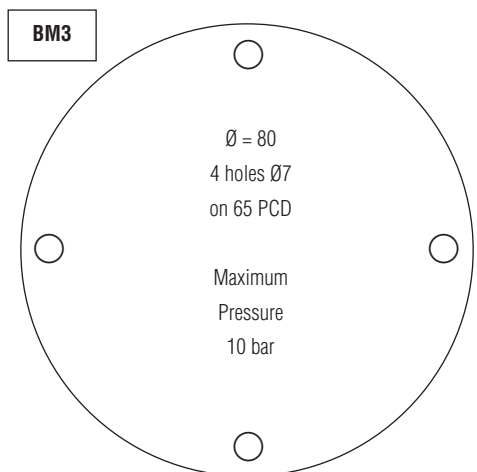
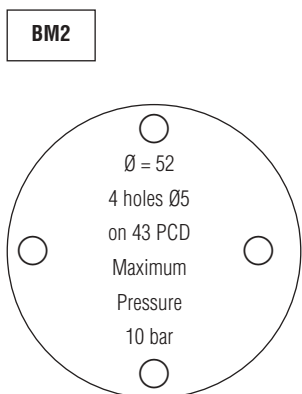
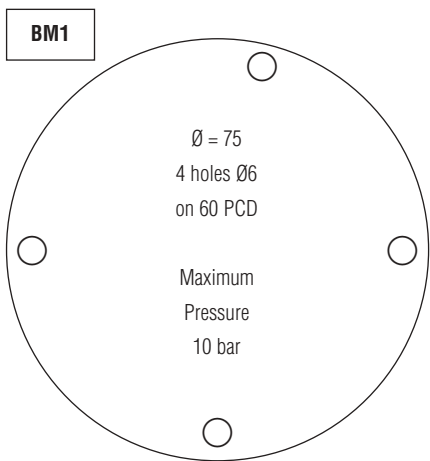
Mounting Direction

Tank top : 0	Bottom : U
--------------	------------

Mounting Type



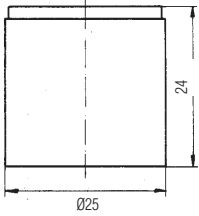
Available with potted cable/leads only.



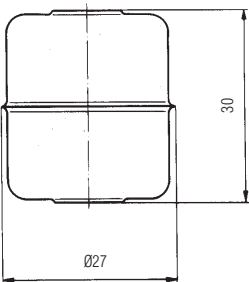
Flanges are only available with DIN 43650 Connector or Potted Cable/Leads.
 Flange thickness = 5mm
 Standard flanges shown
 Other flanges available for OEM applications.

LEVEL SWITCHES

Floats



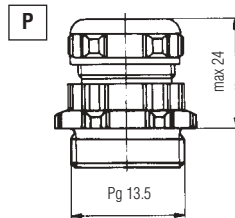
N = Buna N



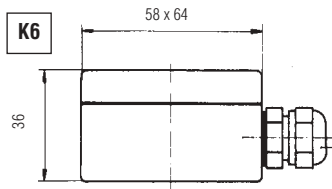
C = Stainless Steel

Electrical Connection

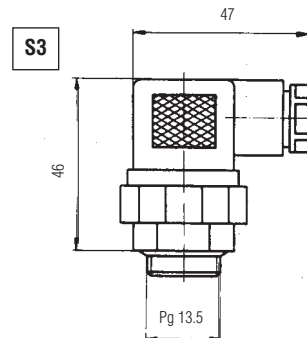
Pg 13.5 Cable gland
Cable (PVC=0.34mm² or 0.25mm²)
standard length appr. 1m;
Temperature: -20 ... +80°C



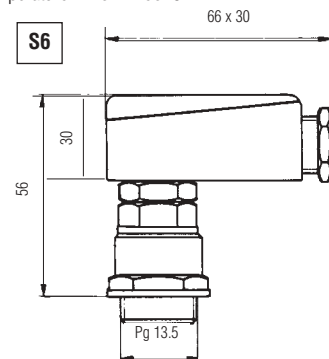
Terminal box 6-poles
Temperature: -20 ... +150°C



Plug connector acc. DIN 43650
3 poles + earth
Temperature: -20 ... +90°C



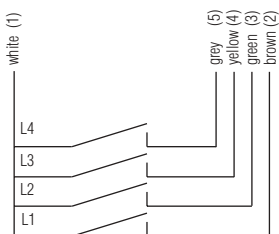
Plug connector acc. DIN 43651
6 poles + earth
Temperature: -20 ... +90°C



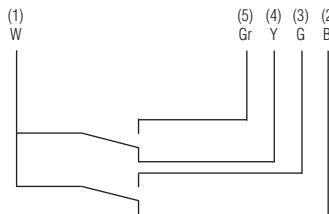
Switching Groups

(Pin correlation of the plug connectors)

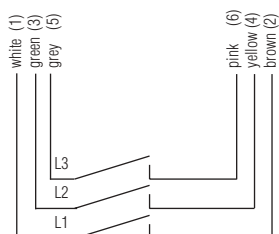
Group 1



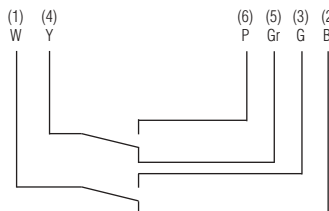
Group 3



Group 2



Group 4



Temperature Switch

For large or OEM applications the LS-400E may be fitted with a temperature switch.

It is installed at the lower end of the stem and reduces the number of switch points by one.

Maximum Rating 2A, 120Vac, 2A, 24Vdc.

For full specification contact your sales office.

