

PM/PL Series

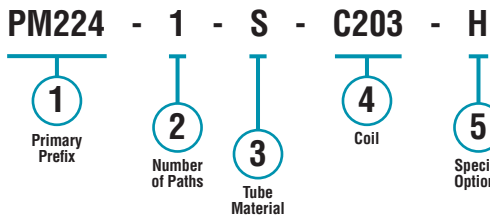
- ▶ 2-Way Normally Open/Closed; 3-Way Directional
- ▶ MOPD: 15 PSIG to 30 PSIG (1.03 bar to 2.07 bar)
- ▶ As Low as 2.8 Watts; Based on Configuration

These pinch valves offer 2-way Normally Open (NO) and Closed (NC), or 3-way Directional Control operation. While sharing similar configurations with the PM Series, the PL Series features larger tubing sizes. Their design ensures that only the inside of the tubing contacts the fluid.



How To Order

Use the **Bold** characters from the choices listed on the following page to construct a product code.



Example: PM224-1-S-C203-H

2-Way N.O. solenoid valve with a single path and silicone tube, optional mounting holes, and operating at 12 VDC.

Part Prefix Table ①

	Tube Size		Min Pressure (psig)	Max Pressure (psig)	① Primary Prefix
	I.D. (inches)	O.D. (inches)			
2-WAY N.C.	0.01	0.093	vacuum	30	PM200
	0.023	0.093	vacuum	20	PM201
	1/32	3/32	vacuum	15	PM202
	0.05	0.134	vacuum	15	PM203
	1/16	1/8	0	15	PM204
	1/32	3/32	vacuum	25	PL202
	1/16	1/8	0	25	PL204
	1/16	3/16	vacuum	25	PL205
	1/8	1/4	vacuum	20	PL206
	2-WAY N.O.	0.01	0.093	vacuum	30
0.023		0.093	vacuum	20	PM221
1/32		3/32	vacuum	15	PM222
0.05		0.134	vacuum	15	PM223
1/16		1/8	0	15	PM224
1/32		3/32	vacuum	25	PL222
1/16		1/8	0	25	PL224
1/16		3/16	vacuum	25	PL225
1/8		1/4	vacuum	20	PL226
3-WAY Directional Control		0.023	0.093	vacuum	20
	1/32	3/32	vacuum	15	PM342
	0.05	0.134	vacuum	15	PM343
	1/16	1/8	0	15	PM344
	1/32	3/32	vacuum	25	PL342
	1/16	1/8	0	25	PL344
	1/16	3/16	vacuum	25	PL345
	1/8	1/4	vacuum	20	PL346

② Number of Paths

- 1 = Single Path
- 2 = Dual Path (Prefixes PLXX2 and PLXX4 only)
- 4 = 4 (Prefix PL222 only)
- 6 = 6 (Prefix PL222 only)
- 8 = 8 (Prefix PL222 only)

③ Tube Material

- S = Silicone
- C = C-Flex (Not available in Prefixes XXXX0, XXXX3, XXXX7)

④ Coil

- C203 = 12 VDC
- C204 = 24 VDC

⑤ Special Options

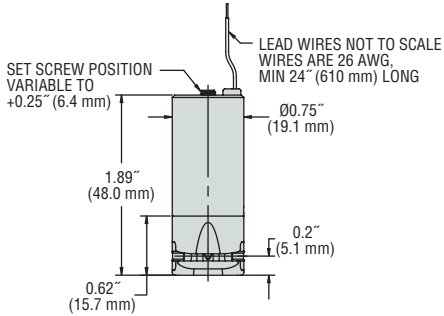
- Q = Quiet Operation
- F = Position Feedback Sensor
- H = Bottom Mounting Holes
- L = Low Power Consumption

* Standard selection; will be used unless otherwise specified.

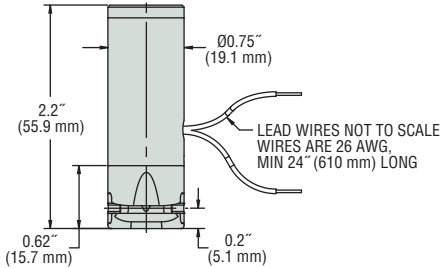
Dimensions

PM Series – 1/8" O.D. Tubing, Max.

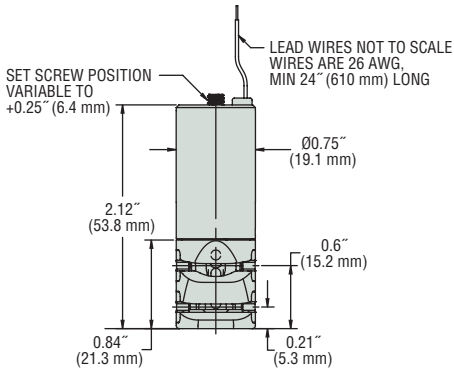
2-Way N.C.



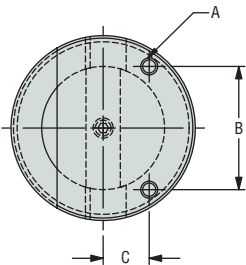
2-Way N.O.



3-Way



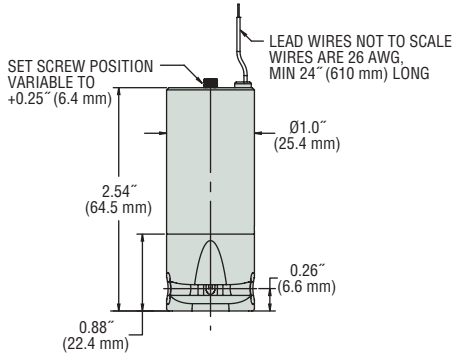
Optional Mounting Holes



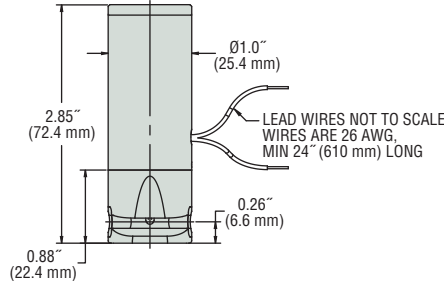
Valve Series	"A" Thread	"B" Center	"C"
PM20 / PM22	#2-56	0.5" (12.7 mm)	0.125" (3.2 mm)
PM34			0.132" (3.4 mm)
PL20 / PL22 / PL34	#4-40	0.687" (17 mm)	0.218" (6 mm)

PL Series – 1/4" O.D. Tubing, Max.

2-Way N.C.



2-Way N.O.



3-Way

