

D-Cryo Series

- ▶ MOPD: 1000 PSI
- ▶ C_v Range: 0.040 to 0.770
- ▶ 15 Watts

The D-Cryo Series is a 2-way, high flow, miniature Cryogenic valve designed and built for service down to -320°F (-196°C). Depending on your temperature requirements, the D-Cryo Series can be configured for liquid nitrogen (LN2), liquid carbon dioxide (LCO2), and other extreme temperature media. PTFE coated plungers, 316 Stainless Steel guide tubes and plunger springs, encapsulated coils, and PTFE or Rulon® seat seals produce a truly robust Cryogenic valve for applications requiring high cycle life and media temperature control.

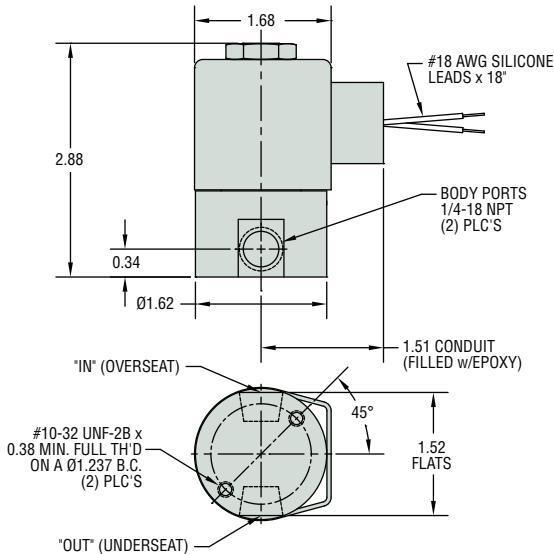


Typical Applications

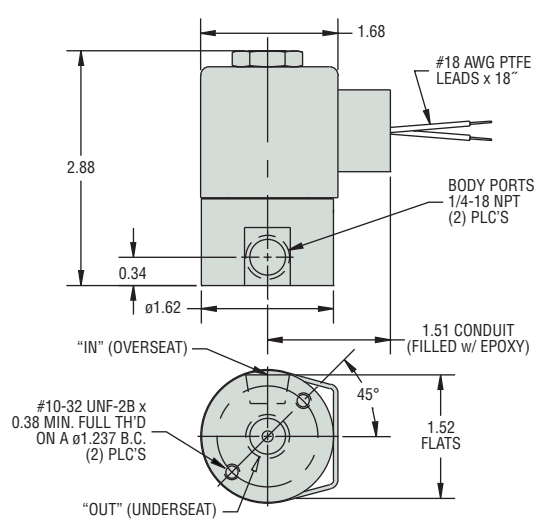
- Environmental Chambers
- Food Processing
- Laser Surgical Equipment
- Semiconductor Manufacturing

Dimensions

LN2-Liquid Nitrogen



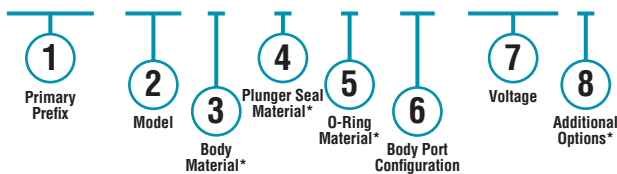
LCO2-Liquid Carbon Dioxide



How To Order

Use the **Bold** characters from the choices listed on the following page to construct a product code.

D2062 - LN2 - LT - 12VDC



* Blank entry indicates a "Standard" selection (430F Stainless Steel, Rulon® and Variseal®, in this case).

Example:

D2062-LN2-LT-12VDC

2-Way N.C. Liquid Nitrogen Class-H Encapsulated Coil with lead-wires, conduit filled housing solenoid valve, with 430F stainless steel body, Rulon® plunger seal, Variseal® o-ring, 1/8-28 BSPT female thread, operating at 12 DC with rectified coil.

Part Prefix Table ①

| | | ① Primary Prefix | | | |
|-----------------|----------------|------------------------|--------------------------------------|--|--------------------------------|
| Orifice Body | MOPD (psig) | C _v Body | Class H, Encapsulated Coils | | |
| | | | Lead Wires—Filled Conduit Housing | Lead Wires—Unfilled Conduit Housing | Lead Wires— Grommet Housing |
| 3/64 | 1000* | 0.040 | D2061 | D2021 | D2011 |
| 1/16 | 1000* | 0.070 | D2062 | D2022 | D2012 |
| 3/32 | 640 | 0.165 | D2063 | D2023 | D2013 |
| 1/8 | 375 | 0.305 | D2064 | D2024 | D2014 |
| 5/32 | 185 | 0.365 | D2065 | D2025 | D2015 |
| 3/16 | 130 | 0.470 | D2066 | D2026 | D2016 |
| 1/4 | 40 | 0.770 | D2067 | D2027 | D2017 |

* For higher pressure, consult factory.

② Model

- LN2 = Liquid Nitrogen model
- LCO2 = Liquid Carbon Dioxide model

③ Body Material

LN2 Only

(blank) = 430F Stainless Steel*

LCO2 Only

(blank) = 430F Stainless Steel*
BB = Brass

④ Plunger Seal Material

LN2 Only

(blank) = Rulon®*

LCO2 Only

(blank) = PTFE*
MQ = Silicone (consult factory)

⑤ O-Ring Material

LN2 Only

(blank) = Variseal® (PTFE material with internal spring)*

LCO2 Only

(blank) = Fluorosilicone*
TO = PTFE

⑥ Body Port Configuration

LN2 Only

- (blank) = 1/4-18 NPT female thread*
- LC = 1/8-27 NPT female thread
- LD = 3/8-18 NPT female thread
- LT = 1/8-28 BSPT female thread
- LU = 1/4-19 BSPT female thread
- BI = Bottom over-seat port, female thread
- BO = Bottom under-seat port, female thread

LCO2 Only

- (blank) = 1/4-18 NPT, bottom under-seat port, female thread*
- LC = 1/8-27 NPT female thread
- LD = 3/8-18 NPT female thread (in-line porting only)
- LT = 1/8-28 BSPT female thread
- LU = 1/4-19 BSPT female thread
- IL = Inline porting, 180° apart

⑦ Voltage

LN2 Only

- ___ VDC = DC (specify voltage)
- ___ VAC = AC Rectified (specify voltage)

LCO2 Only

- ___ VDC = DC (specify voltage)
- ___ VAC = AC Rectified (specify voltage)

⑧ Additional Options

LN2 Only

- (blank) = Chamfered and PTFE coated plunger*
- (blank) = 316 Stainless Steel 1-piece guide assembly*
- (blank) = 316 Stainless Steel spring*

LCO2 Only

- (blank) = Chamfered and PTFE coated plunger*
- (blank) = 316 Stainless Steel 1-piece guide assembly*
- (blank) = 316 Stainless Steel spring*

* Standard selection; will be used unless otherwise specified.
Standard selections are not referenced in final part number.