

# FT-210 Series – TurboFlow® Low Flow Turbine Sensor

- ▶ Low Flow Rates .1 to 2.5 LPM and High Accuracy  $\pm 3\%$  of Reading
- ▶ Lightweight Turbine Ensures Fast Startup
- ▶ Mounts In Any Orientation

Gems FT-210 features proven turbine technology in a small package for low flow applications. The turbine technology provides a highly repeatable sensor ideally suited for measurement of either volume dispensing and/or flow rate applications. The small turbine reacts quickly to on/off dispensing applications. Each sensor is 100% tested, ensuring years of service life.

## Specifications

<b>Wetted Materials</b>	
<b>Body</b>	Nylon 12 (Grilamid TR55) or Grivory
<b>Turbine</b>	Nylon 12 Composite
<b>Bearings</b>	PTFE/15% Graphite
<b>Operating Pressure</b>	350 PSI (24 bar)
<b>Burst Pressure</b>	1400 PSI (97 bar)
<b>Flow Range</b>	.026- 65 gallons/minute 0.1-2.5 liters/minute 3.4-84.5 ounces/minute
<b>Pulses</b>	83,200 per gallon 22,000 per liter 650 per ounce
<b>Frequency Output</b>	36.6-917 Hz
<b>Operating Temperature</b>	-4°F to 212°F (-20°C to 100°C)
<b>Viscosity</b>	32 to 70 SSU (.8 to 16 Centistokes)
<b>Filter</b>	<50 Microns
<b>Input Power</b>	5 to 24 VDC
<b>Output (Hz)</b>	NPN Sinking Open Collector @ 20mA Maximum Leakage Current 10 $\mu$ A (3K-30K Pull up resistor required)
<b>Accuracy</b>	$\pm 3\%$ of Reading
<b>Repeatability</b>	0.5% of Full Scale
<b>Electrical Connection</b>	9.4mm Spacing 3-pole DIN Connector (1" high)
<b>Inlet/Outlet Ports</b>	1/4" NPT (1/4" G Male also available)

## How To Order

Specify a Part Number for the Port Connection AND a Part Number for the DIN Electrical Connection. Two Part Numbers are required for a complete part assembly.

## FT-210 Sensor

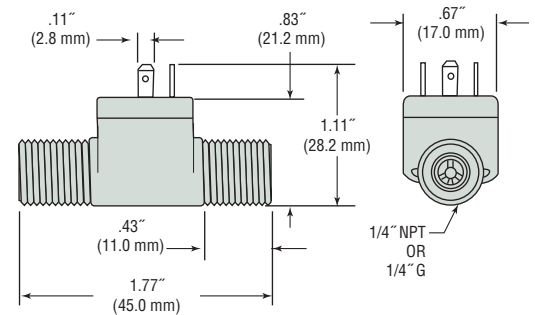
Body Material	Port Size	Part Number
Nylon 12	1/4" NPT	212465
	1/4" G	212460
Grivory®	1/4" NPT	223910
	1/4" G	223190

## Electrical Connection

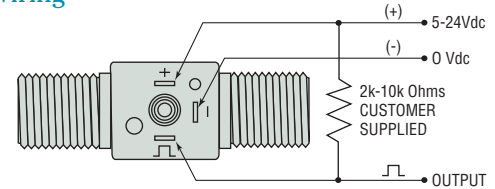
Description	Part Number
1 meter DIN PVC Cable Assembly with 10K pull-up resistor	218572
Mating DIN Connector	212404



## Dimensions



## Wiring



Pin Code: 1 = Output  
2 = Supply  
4 = Common

For Mating DIN Connector – P/N 212404

Function	DIN Termination
V+	1
-	⊕
Output	2

## Pressure Drop—Typical

